

Description

Provides continuous non-resettable digital totalized readings. Transmits a scaled electrical pulse signal (switch closure type) for each discrete unit of liquid volume metered. The display contains 5 resettable digits to display totalization and 8 digits for continuous totalization. The face plate can be configured to display any standard engineering unit (i.e.; U.S. gallons, Imp. gallons, pounds, liters).

Mounts to

Meter Type	Size	Meter Materials
Nutating Disc	1" - 2 1/2"	Teflon® Coated Cast Iron
	1" - 2"	Bronze
Oscillating Piston	1" or 2"	Stainless Steel



R-22C Explosion Proof Mechanical Totalizing Register

Technical Information

Functional Specifications

Registration	U.S. gallons, Imp. gallons, pounds, liters, etc.
Operation	Mechanical drive
Power Supply	10-15 VDC
Power Consumption	0.105 Watts at 15 VDC
Output Signal	10 to 15 VDC, square pulse
Pulse Rate	10 pulses/unit
Display Outputs	5 digit non-resettable total and 8 digit total
Display digits	5 and 8
Temperature	Use vertical extension if liquid > 250° F (121° C)
Agency Approvals	UL and CSA Class I Division I Group D

Physical Specifications

Materials of Construction	
Case	Aluminum
Number Wheels	Acetal Resin
Face Plate	Plastic
Gears	Brass
Mounting Position	Top/Horizontal Vertical Dial Face

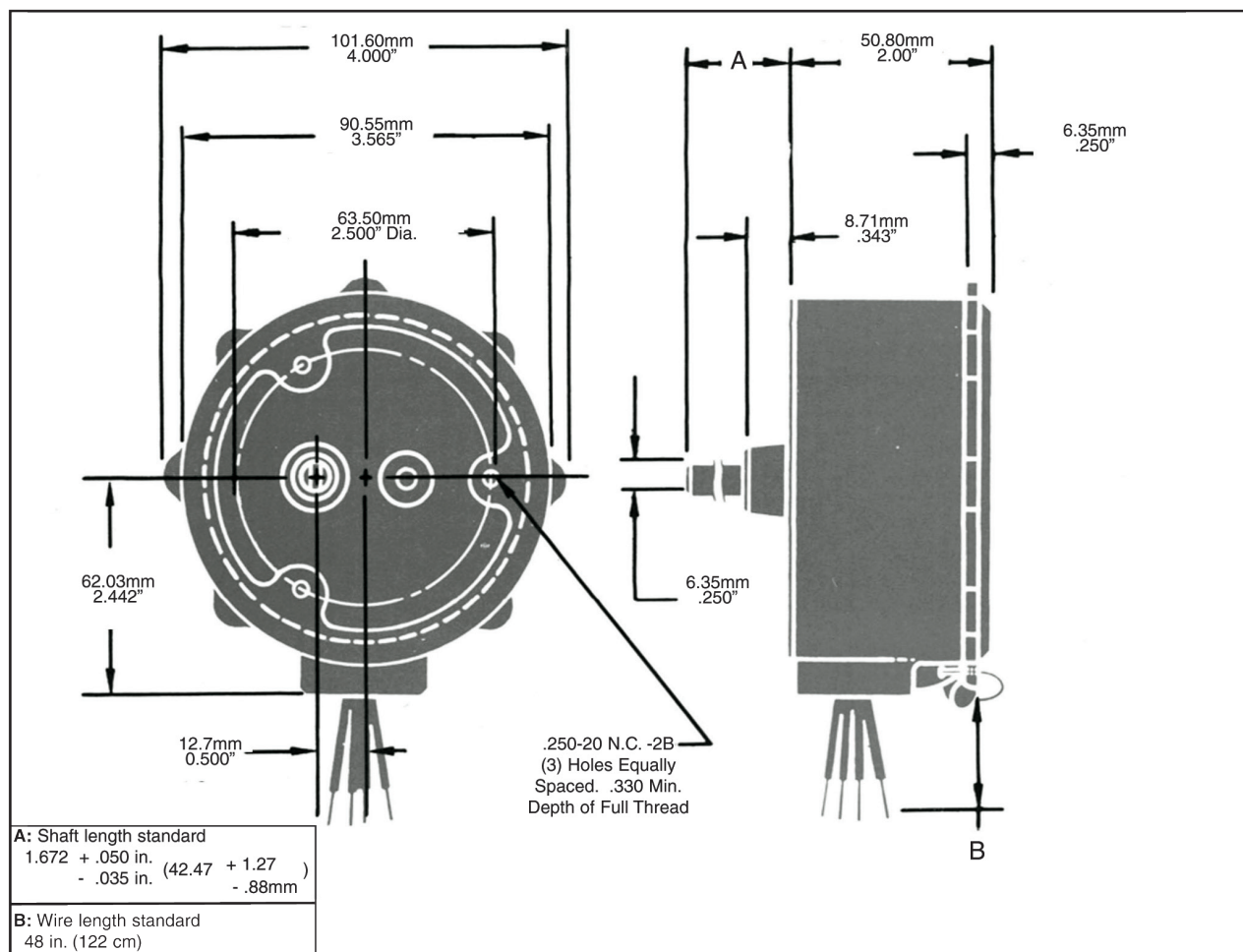
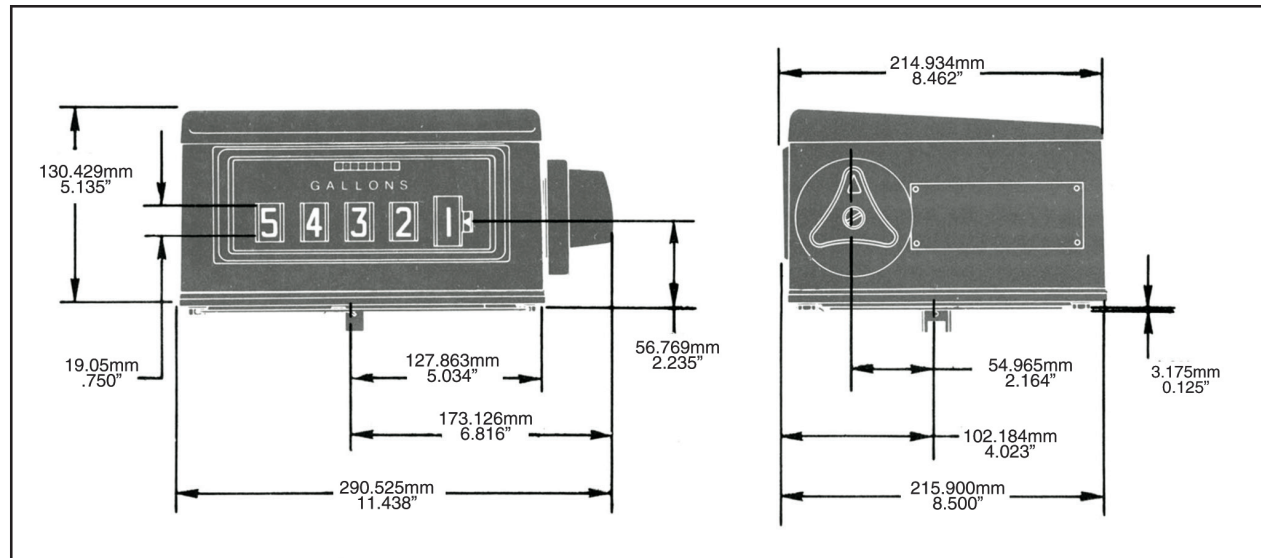
Ordering Information

MODEL R22C

Engineering Units	_____
1Gallons
2Pounds
3Imperial Gallons
4Liters
5Special
Increments	_____
A0.1
B1
C10
Register Extension	_____
0No
16"
212"

R-22C Explosion Proof Mechanical Totalizing Register with Pulse Transmitter

Dimensions



venture
MEASUREMENT

NIR-22C Rev. C

2011 All rights reserved.
All data subject to change without notice.