

## Description

Provides automatic batch control with two-stage shut-off. Consists of a meter register and a preset register mechanically linked to a stainless steel or bronze ball valve. The meter register contains 5 resettable digits to display totalization and 8 digits for continuous totalization with an emergency interrupt shut-off. The face plate can be configured to display any standard engineering unit (i.e.; U.S. gallons, Imp. gallons, pounds, and liters). An optional electrical shut-off consists of four switches mounted inside an explosion proof housing which mounts directly to the preset register.

Mounts to

Meter Type	Valve Material	Epoxy Case			Bronze Case			SS Case	
		1.5"	1.5"	2.0"	1.0"	1.5"	2.0"		
Nutating Disc	Bronze Valve	1.5"	1.5"	2.0"	1.0"	1.5"	2.0"		
	SS Valve	1.0"	1.5"					1.0"	1.5"
Oscillating Piston	SS Valve							1.0"	2.0"

## Functional Specifications

Registration	U.S. gallons, Imp. gallons, pounds, liters, etc.
Operation	Mechanical drive
Display Outputs	5 digit resettable Total 8 digit Total
Display Digits	5 and 8
Optional Switches	Qty: 4 Rating: 15A @ 125/250 VAC, SPDT 0.5A @ 125 VDC 0.25A @ 250 VDC, SPDT
Temperature	180° F (82° C)
Batch Size	Minimum batch size: 50 gallons or equivalent units



R-35 Automatic Batch Controller/Totalizer Register

## Physical Specifications

Materials of Construction	
Case	Aluminum & Steel
Gears	Phenolic
Bushings	Bronze
Number Wheels	Acetal resin
Mounting Position	Top/Horizontal Vertical Dial Face

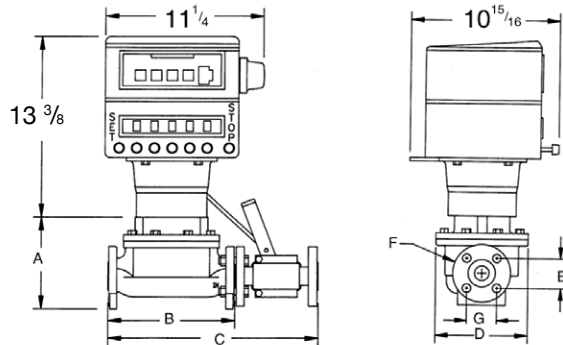
## Ordering Information

MODEL R3	<u>5</u>
Dial Value	
1	.....Gallons
2	.....Pounds
3	.....Imperial Gallons
4	.....Liters
9	.....Special
Unit Increments	
A	.....1
B	.....10

# R-35 Automatic Batch Controller/Totalizer Register

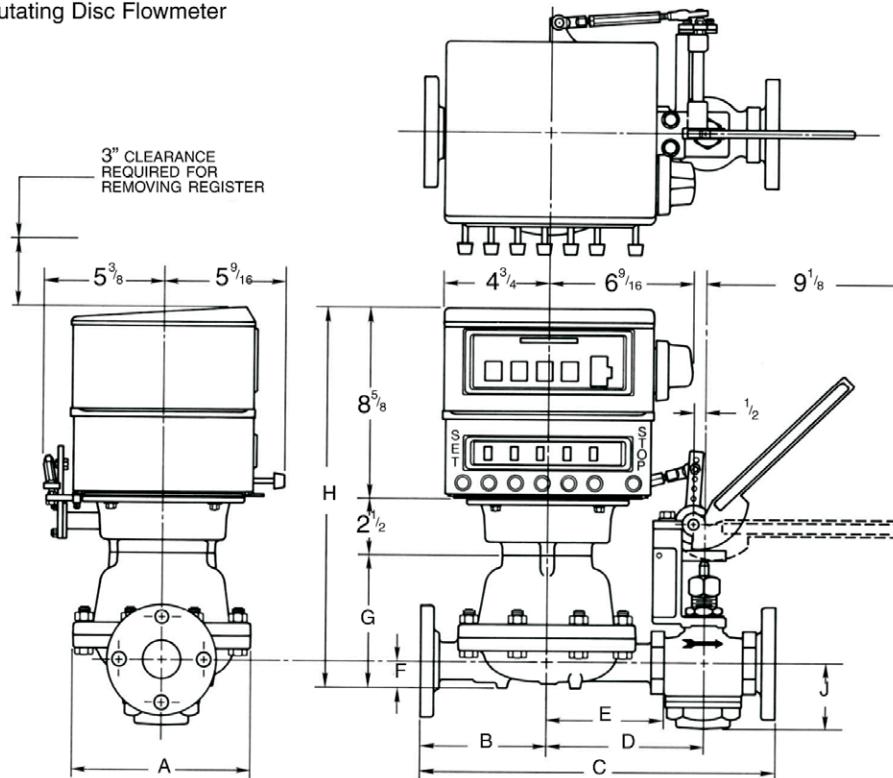
## Dimensions (inch)

Shown with Oscillating Piston Flowmeter



	1" meter	2" meter
A	6-9/16"	7-1/4"
B	9"	13"
C	16-1/4"	22-3/4"
D	6-7/8"	9-3/8"
E	2-1/4"	3-3/8"
F	4-1/4"	6"
G	2-1/4"	3-3/8"

Shown with Nutating Disc Flowmeter



### NIAGARA NUTATING DISC METERS

Meter Size (inches)	Lettered Dimensions (inches)										Flow Rate (U.S. gal.)		Weight (lbs.)
	A	B	*C	*D	*E	F	G	H	J	Min.	Max.	Net	
1	6 5/16	4	17 1/2	5 5/32	3 1/4	2 11/32	4 19/32	15 23/32	2 15/32	5	20	61	
1 1/2	8 7/8	5 3/8	20 3/4	7 3/4	4 5/8	1 1/4	6 13/16	17 15/16	2 31/32	5	50	75	
2	8 25/32	6 5/16	21 3/4	8 5/16	5 9/16	1 5/8	6 29/32	18 1/32	3 5/8	10	100	97	

\* ±1/8

**venture**  
MEASUREMENT

NIR-035 Rev. C

2011 All rights reserved.  
All data subject to change without notice.