

1133, 1134 Series High Speed Counter

A time-proven, classic design. Choose the 1133, 1134 Series for your most punishing applications – even the count wheels consist of aluminum shells with steel engaging parts. Direct drive models use prelubricated bronze bearings which are capable of 1000 rpm continuous operation. Ball bearings used in the Revolution Drive model easily handle 2000 rpm, continuous. A brass housing and chrome-on-steel shaft ensure maximum strength and corrosion resistance.



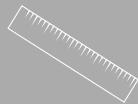
- Heavy duty base mounting
- High speed continuous operation
- 5 white-on-black figures – counts to 99999
- Available in Revolution drive & Direct drive
- 1/4 inch (6.35 mm) shaft fits standard measuring wheels
- Bidirectional counting
- Convenient rotary reset to zero
- All metal, tough industrial duty construction
- No Lubrication required



TIME



COUNT



MEASURE

8:43

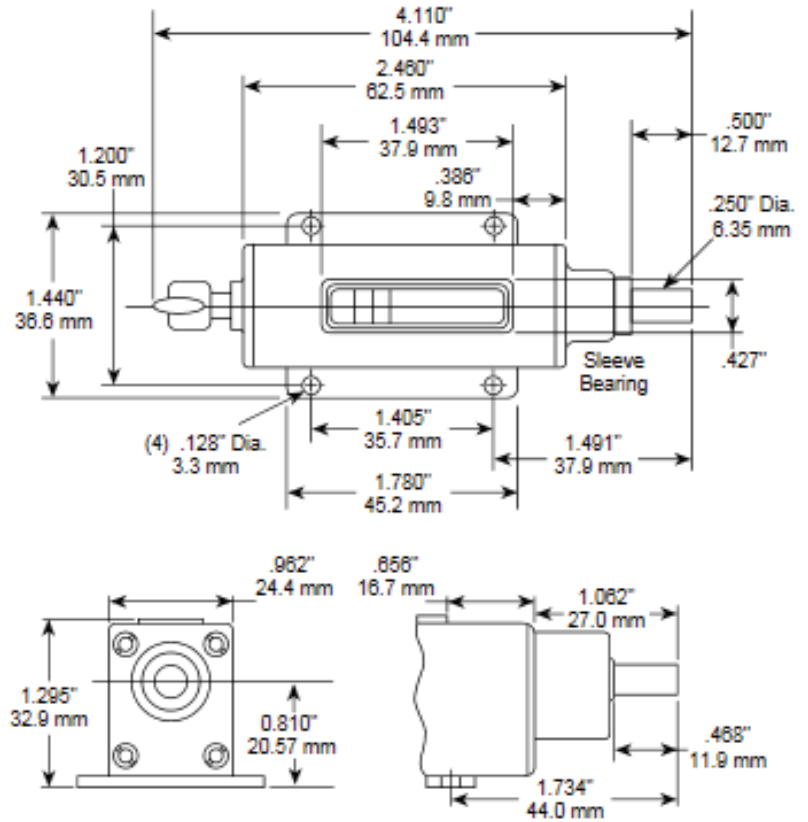
DISPLAY

1133, 1134 Series High Speed Counter

SPECIFICATIONS

DRIVE RATIOS	Direct Drive (1133 Series) adds ten counts for each drive shaft revolution in specified rotation, number 3 or 4 rotation only; subtracts for opposite rotation; pre-lubricated porous bronze sleeve bearings
SPEED	Revolution Drive (1134 Series) adds one count for each drive shaft revolution; subtracts for opposite rotation; ball bearings Direct Drive (1133 Series): 1000 rpm continuous, 1500 rpm intermittent Revolution Drive (1134 Series): 2000 rpm continuous, 3000 rpm intermittent 2000 rpm continuous, 3000 rpm intermittent
TORQUE	Maximum static: 1.0 oz-in. (0.71 N.cm)
NUMBER OF FIGURES	5
SIZE OF FIGURES	0.188" high x 0.099" wide
COLOR OF FIGURES	White on black
RESET	Manual wing nut; push-in engagement with 360° turn
LUBRICATION	Not required
MOUNTING	Base
CONSTRUCTION	Case: Brass Shaft: Chrome plated steel Wheels: Aluminum shell, steel parts Gears, Pinions: Chrome plated steel End Caps: Zamak
WEIGHT	7 oz. (198.6 g)

DIMENSIONS



ORDERING INFORMATION

Standard Models

- 0113335-005 Direct Drive, Clockwise Rotation
- 0113345-005 Direct Drive, Counterclockwise Rotation
- 0113445-005 Revolution Drive, Counterclockwise Rotation

Special variations may be available. Please consult factory.