

## 1259, 1260, 1261, 1262 Series General Purpose Counter

Engineered for broad application, high reliability and long life. Critical parts are made durable, corrosion resistant materials, including a diecast enclosure and chrome plated steel shaft.

Strength, versatility and wide model range have made these a very popular choice for general use in many industries. Other features and configurations are available on special order, such as shaft variations, special wheel colors and markings and reset options.



### 1259 Series - Ratchet Drive

### 1260 Series - Rotary Ratchet Drive

*Nonstock make item*

### 1261 Series - Direct Drive

### 1262 Series - Revolution Drive

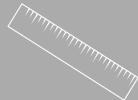
- Choice of four different drives - Ratchet, Rotary Ratchet, Direct, Revolution
- Tough, industrial duty construction
- Speeds 1000 to 5000 cpm
- No Lubrication required



TIME



COUNT



MEASURE

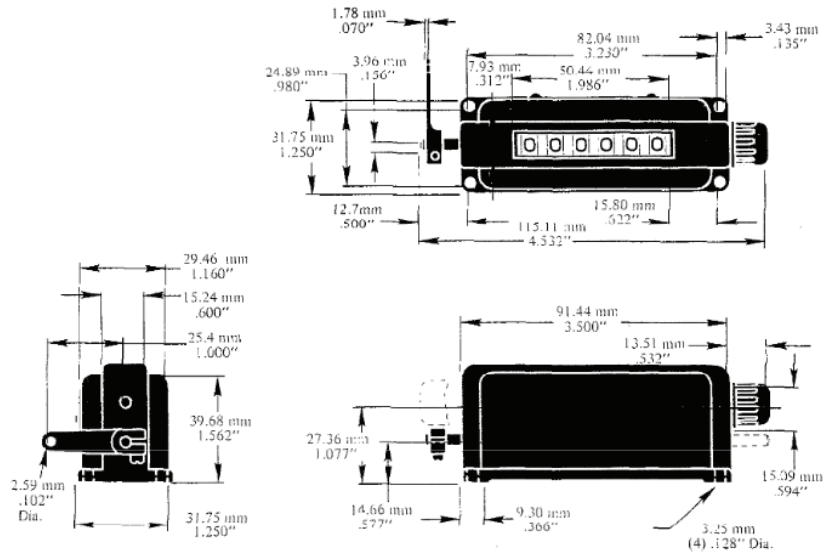
8:43

DISPLAY

## SPECIFICATIONS

DRIVES	<p>Ratchet Drive (1259 Series) adds one count for each drive shaft actuation through 36° to 60° arc; max travel limited; internal return spring; max torque 2 oz-in.</p> <p>Rotary Ratchet (1260 Series) adds one count for each drive shaft actuation through 40° to 66° arc; no stops; will not subtract; max torque 1.5 oz-in.</p> <p>Direct Drive (1261 Series) adds 10 counts for each drive shaft revolution; will not subtract past zero on right-hand when run in opposite rotation; max torque 1 oz-in.</p> <p>Revolution Drive (1262 Series) add one count for each drive shaft revolution; will not subtract past zero on right-hand when run in opposite rotation; max torque 0.5 oz-in.</p>
SPEED	<p>Ratchet Drive (1259 Series): 1000 cpm</p> <p>Rotary Ratchet (1260 Series): 1500 cpm</p> <p>Direct Drive (1261 Series): 5000 cpm</p> <p>Revolution Drive (1262 Series): 2000 cpm</p>
NUMBER OF FIGURES	6
SIZE OF FIGURES	0.188" (4.78mm) high X 0.156" (3.96mm) wide
COLOR OF FIGURES	White on black
RESET	Manual knob
LUBRICATION	Not required
MOUNTING	Base
CONSTRUCTION	<p>Case: Zamak</p> <p>Wheels, Pinions: Acetal resin</p> <p>Shafts: Chrome plated steel</p> <p>Gears: Brass</p>
WEIGHT	9 oz. (255g)

## DIMENSIONS



## ORDERING INFORMATION

### Standard Models

- 0125916-005 Ratchet Drive, Clockwise Rotation, Left Shaft
- 0125926-010 Ratchet Drive, Counterclockwise Rotation, Left Shaft
- 0126226-010 Revolution Drive, Counterclockwise Rotation, Left Shaft
- 0125936-015 Ratchet Drive, Counterclockwise Rotation, Right Shaft
- 0126136-015 Direct Drive, Counterclockwise Rotation, Right Shaft
- 0125946-020 Ratchet Drive, Clockwise Rotation, Right Shaft
- 0126246-020 Revolution Drive, Clockwise Rotation, Right Shaft

Special variations may be available. Please consult factory.

