

799984-322 MicroMITE Series Totalizing Counter

Ultraminiature totalizing counter module for printed circuit board mounting. 4 digit, 6mm high, LCD display. Powered by an internal button-cell (provided/replaceable), typically supporting memory and operation for 3 to 4 years.

An integral switch-bounce filter allows error free counting from the mechanical contacts of switches or relays. PCB solder-pins are provided for electrical connections. An attractive panel mount installation can be made using the provided bezel.

An ideal choice where a very low cost, self-powered totalizing counter is required. Typical applications include dispensing, and operation or event counting.



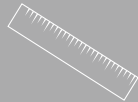
- Internal 1.5v button cell
- Battery life of 3 to 4 years
- 4 digit, 6mm high LCD display
- Integral switch-debounce circuitry
- Panel mounting bezel provided



TIME



COUNT



MEASURE

8:43

DISPLAY

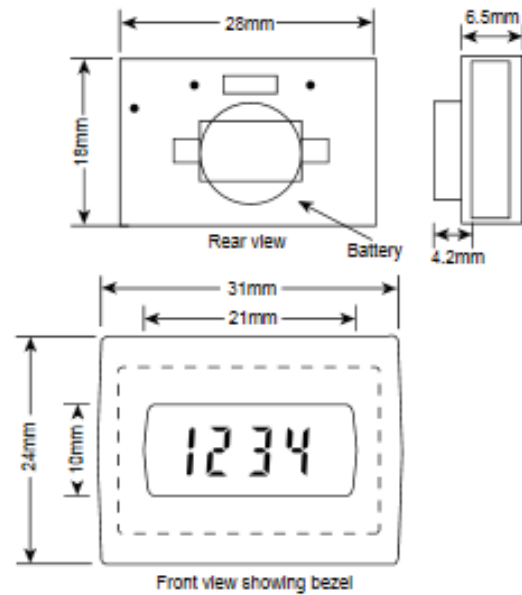
799984-322 MicroMITE Series Totalizing Counter

ESVR 09082016

SPECIFICATIONS

SUPPLY VOLTAGE	Replaceable 1.5v button cell type 386 or SR43 (provided)
EXPECTED BATTERY LIFE	3 - 4 years at 20°C
DISPLAY	4 digit LCD, 6mm characters
COUNT RANGE	9999 display rollover to 0
COUNT INPUT	12Hz maximum, contact closure. Operates on contact opening
RESET	To zero on insertion of battery. Remote reset can be accommodated
OPERATING TEMPERATURE	+32° to +122°F (0° to +50°C)
STORAGE TEMPERATURE	+14° to 140°F (-10° to +60°C)
MATERIAL	Clear polycarbonate, black ABS bezel
ENVIRONMENTAL PROTECTION	IP40/DIN40050
LEAD LENGTH	7.5 g
WEIGHT	2.5 lbs. (1.1 kg)

DIMENSIONS



ORDERING INFORMATION

Standard Models

0799984-322 Totalizing Counter, with button battery

Special variations may be available. Please consult factory.