

C628 Position Indicator

The Veeder-Root brand C628 Position Indicator is a member of a family of 1/8 DIN instruments which offer breakthrough display technology as well as easy-to-program user setup. The large LED display features the ability to change color based on process status such as exceeding the high alarm value. Therefore, when monitoring actual position status or another critical value, the C628 provides operators with an instant visual alert to changes in the application's status.

The high and low alarms each activate an NPN output and a relay output. In addition, position information can be transferred to a PLC or computer via optional RS-485 serial or linear output boards.



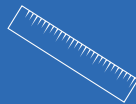
- AWESOME 0.71" high digit LED display (27% larger than other 1/8 DIN units)
- Programmable color change display based on an event
- Programmable help function and secondary legend display
- High and low alarm outputs
- Optional linear output relative to position
- Accepts encoder inputs
- Reset to a value other than zero enables establishment of a home position
- Filter speed settable for 20, 200, or 10,000 Hz
- Standard Outputs: 2 NPN transistors & 1 relay (optional 2nd relay)
- Front panel reset enable and alarm lockout
- Optional RS-485 plug in card
- CE approved, UL, CUL recognized



TIME



COUNT



MEASURE

8:43

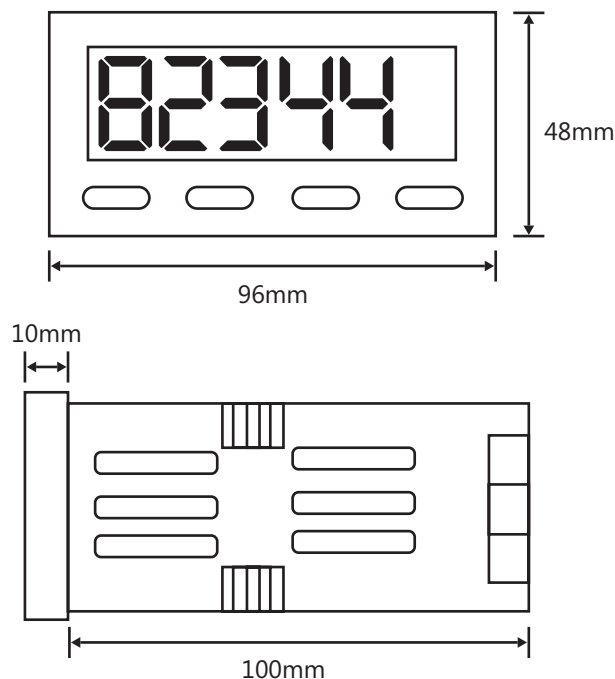
DISPLAY

C628 Position Indicator

SPECIFICATIONS

COUNT INPUTS	Quadrature Frequency: 5 kHz max. Logic Low \leq 2.0 VDC, Logic High \geq 3.0, 30V max. Impedance: 4.7 K Ω to +Voltage - Sinking
CALIBRATOR	Multiplier 0.0001 to 9.9999
CONTROL INPUTS	Sinking, Edge Sensitive Logic Low \leq 2.0 VDC, Logic High \geq 3.0 Impedance: 4.7 K Ω to +Voltage Response Time: 25 ms Functions: Input 1 - Remote Reset; Input 2 - Security Lockout
OUTPUTS	Solid State: NPN open collector, 30 VDC max., 100 mA max. Relay: SPDT, 2 amp resistive @ 110 VAC Latency: 75 seconds, plus 8 ms for relay pull-in
LINEAR OUTPUTS	Ranges: 0-20mA, 4-20mA, 0-10V, 2-10V, 0-5V, 1-5V Accuracy: \pm 0.25% (mA at 250 Ω , V at 2k Ω) degrades linearly to \pm 0.5% Resolution: 8 bits in 250ms (10 bits in 1s. typ.) Load Impedance: mA ranges 500 Ω max.; V ranges 500 Ω min. Update: Approx. 4/s
COMMUNICATION	Optional RS-485; Serial asynchronous, UART to UART; Open ASCII: One start bit, even parity seven data bits, one stop bit; Baud Rate selectable from 9600, 4800, 2400, or 1200 Maximum Zones: 99
FILTER SPEED	Settable for 20, 200 or 10,000 Hz
SUPPLY VOLTAGE	90-264 VAC, 50/60 Hz, or 20-50 VAC/VDC; 4 Watts
ACCESSORY POWER SUPPLY	9-15 (unregulated VDC), 125 mA max.
DISPLAY	Red/Green, 7 segment LED Primary display: 5 digits, 0.71" (18mm) height Secondary display: single digit, 0.3" (7mm) height
DIMENSIONS	48mm x 96mm, 110mm deep
MOUNTING	Panel mount (mounting bracket supplied), 45mm x 92mm cutout
CONNECTIONS	Screw type terminals - combination head
FRONT PANEL RATING	NEMA 4X/IEC IP65
CASE MATERIAL	GE Lexan 940
WEIGHT	0.56 lbs.
OPERATING TEMPERATURE	0° to 55° Celsius, 32° to 131° Fahrenheit
STORAGE TEMPERATURE	-20° to 80° Celsius, -4° to 176° Fahrenheit
RELATIVE HUMIDITY	20% to 95% non-condensing
APPROVALS	CE; UL, CUL recognized

DIMENSIONS



ORDERING INFORMATION

