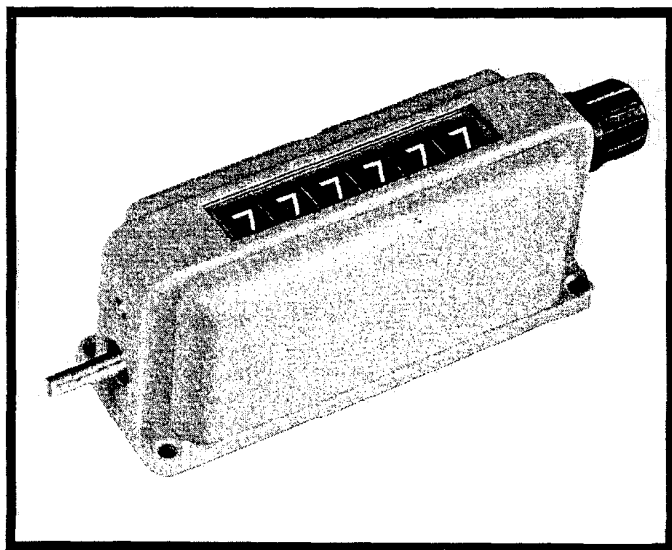


# SERIES 1259, 1260, 1261, 1262

## General Purpose Counter



Series 1262 General Purpose Counter (No. 2 Rotation shown)

### Description

Engineered for broad application, the Series 1259, 1260, 1261, and 1262 feature:

- Choice of four drives: ratchet, rotary ratchet, direct, or revolution.
- Cast Zamak case and chrome plated steel shafts for rugged construction.
- Acetal resin wheels and pinions, and corrosion resistant metals for sustained accuracy.
- Speeds 1000 to 5000 cpm.

### Applications

- The Series 1259, 1260, 1261 and 1262 General Purpose Counter are ideal for many industrial environments. Typical applications include:
  - Box making, paper making, and rivet making.
  - Baking, molding, and printing.
  - Compressors, machine tools, and sheet metal rollers.
- **Series 1259, Ratchet Drive:** Adds one count for each drive shaft actuation through 36° to 60° arc in specified rotation. Maximum travel limited. Internal lever return spring. Maximum torque 2 oz-in.
- **Series 1260, Rotary Ratchet Drive (Nonstock make item):** Adds one count for each drive shaft actuation through 40° to 66° arc. No stops. Will not subtract. Maximum torque 1.5 oz-in.
- **Series 1261, Direct Drive:** Adds ten counts for each drive shaft revolution in specified rotation. Will not subtract past zero on right hand wheel when run in opposite rotation.
- **Series 1262, Revolution Drive:** Adds one count for each drive shaft revolution in specified rotation. Will not subtract past zero on right-hand wheel when run in opposite rotation. Maximum torque 0.5 oz-in.

### Form Numbers

	1	2	3	4
Ratchet Drive	125916-005	125926-010	125936-015	125946-020
Rotary Ratchet Drive	*	*	*	*
Direct Drive	*	*	126136-015	*
Revolution Drive	*	126226-010	*	*

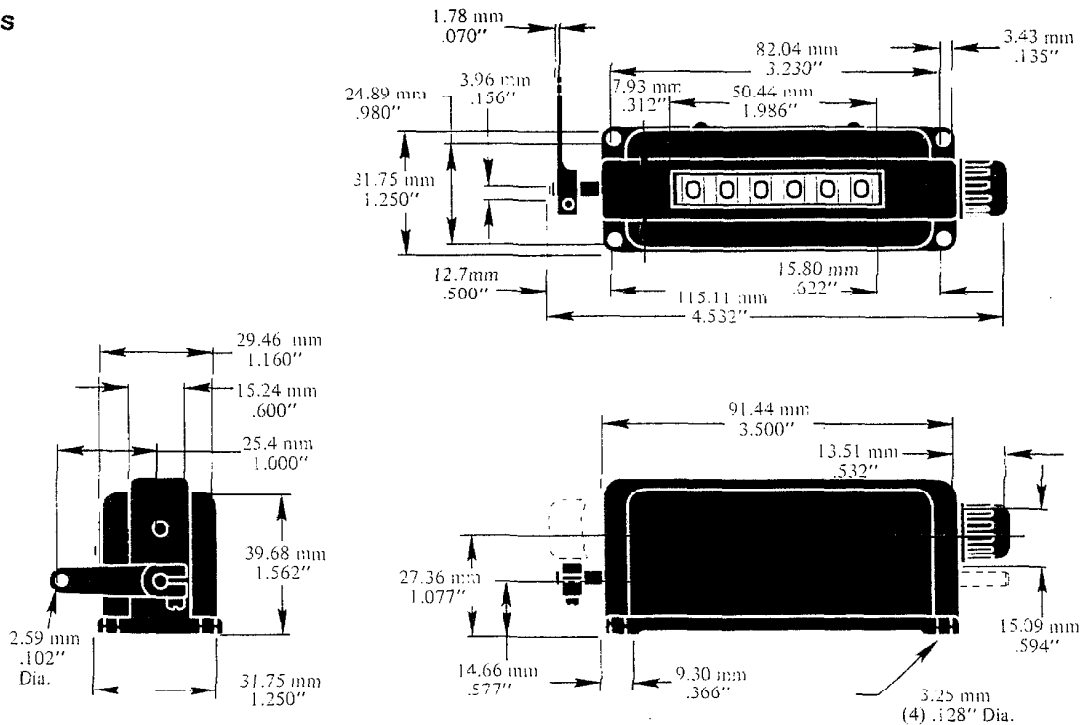
\* Nonstock make item.

# Series 1259, 1260, 1261, 1262 — General Purpose Counter

## Specifications

Count Speed	Ratchet: 1000 cpm. Rotary Ratchet: 1500 cpm. Direct: 5000 cpm. Revolution: 2000 cpm.
Number of Figures	6.
Color of Figures	Black on white. Specials optional.
Size of Figures	4.78 mm high by 3.96 mm wide (0.188" by 0.156").
Character Configuration	0 to 9. Specials optional.
Reset	Manual knob. Larger diameter knob 32 mm (1.25") and crank handle optional.
Lubrication	Not required.
Mounting	Base.
Construction	Case: Zamak. Wheels and pinions: acetal resin. Shafts: chrome plated steel. Gears: brass.
Net Weight	255 g (9 oz.).
Options	Double shaft extensions, special levers, fork couplings, special wheel colors and configurations. Large reset knob or crank. Reset knob and drive shaft on same side. Nonreset, subtractive models.

## Dimensions



Information in this data sheet is for guidance only. For current specifications and dimensions, or possible modifications, contact your Veeder-Root representative.

**VEEDER-ROOT**   
Digital Products

125 Powder Forest Drive, Post Office Box 2003, Simsbury, CT 06070-2003 TEL: (203) 651-2700, FAX: (203) 651-2750

AUSTRALIA: Chetennam, Victoria • BRAZIL: Sao Paulo • CANADA: Etobicoke • FRANCE: Rungis • SCOTLAND: Dundee • WEST GERMANY: Neuhausen/Filder

Printed in U.S.A.  
VR 2/91