



## FEATURES AND BENEFITS

### Continuous 4-20mA

- Standard Communication

### Output Dampening - Standard

- Stabilizes readings where severe agitation is present

### Teflon®, PVC, 316 SS Probes and NPT or Flange Mounting

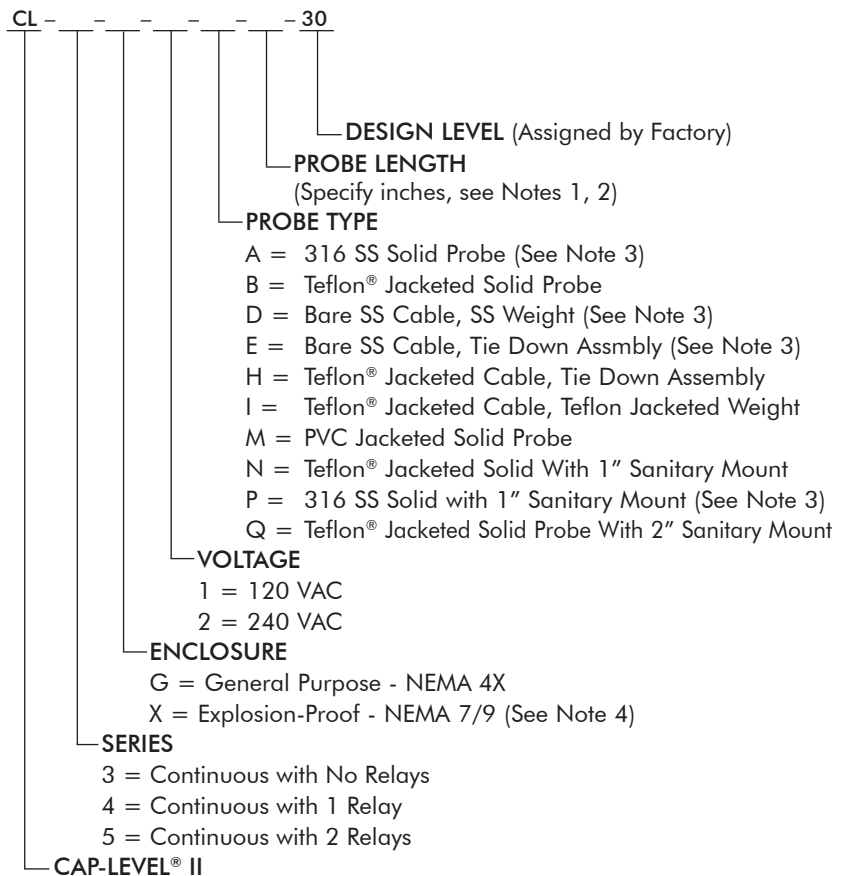
- Options for a wide range of applications

### Continuous Process Management

- Uninterrupted level measurement

**DESCRIPTION** Cap-Level® II is designed for level monitoring and control. The 4-20mA output provides a selectable dampening function to stabilize readings where severe agitation is present. Simple zero and span adjustment make calibration easy. The relay logic circuitry offers the flexibility to control multiple pumps, conveyors and alarms. Each relay can be set to turn your equipment on and off at any selected point on the probe - without any external latching devices. Failsafe selection gives the security of fault indication and/or conveyor stop if power is lost. The probe configurations and materials offered allow you to custom fit Cap-Level® II to your application. Designs such as the type "E" and type "H" tie-down, allow use in tall silos and include a unique cable adjustments.

## HOW TO ORDER



Note 1. Maximum standard length for solid probes is 167" (4242mm).

For probes exceeding this length contact factory.

Note 2. Maximum standard length for cable probes is 1200" (30480mm). For probes exceeding this length contact factory.

Note 3. For dry or non-conductive materials only.

Note 4. Type "B" probe only.

## SPECIFICATIONS

### FUNCTIONAL

Operating Power	120 VAC, 240 VAC
Power Consumption	8 Watts
Operating Temperature	-40° to 160° F (-40° to 71° C)

### PERFORMANCE

Hysteresis	2.5% of span min, 100% max
Analog Output	4-20mA into 400 Ohms max
Relay Output	SPDT, 3 amps @ 120 VAC
Accuracy	1% FS with Constant Dielectric
Calibration	Analog: course and fine zero/ span, non-interacting relays: hi, low setpoints and hysteresis set as % of span

### PHYSICAL

Enclosure	NEMA 4X or NEMA 7/9 aluminum with corrosion resistant polyester coating
Length	As specified for Types A, B, M, N, P, Q: 167" (4157 mm), Types D, E, H, I: 1200" (36000 mm)

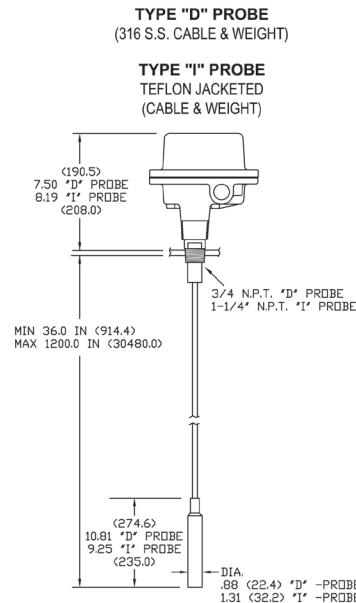
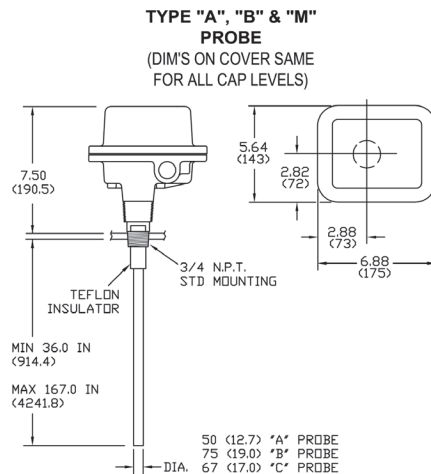
### APPROVALS

General Purpose: CSA; Type 4
Hazardous Location: CSA; Class I, Groups C and D

## PROBE APPLICATION

Probe Type	Mount Standard	Material	Pressure (Max)	Temp. (Max)
A	3/4" NPT	316 SS**	50 PSI (3.51 kg/cm <sup>2</sup> )	250° F (121° C)
B	3/4" NPT	Teflon®/SS	50 PSI (3.51 kg/cm <sup>2</sup> )	250° F (121° C)
D	1 1/4" NPT	316 SS**	Atmospheric	250° F (121° C)
E	1 1/4" NPT	316 SS**	Atmospheric	250° F (121° C)
H	1 1/4" NPT	Teflon®/SS	Atmospheric	250° F (121° C)
I	1 1/4" NPT	Teflon®/SS	50 PSI (3.51 kg/cm <sup>2</sup> )	250° F (121° C)
M	3/4" NPT	PVC/SS	50 PSI (3.51 kg/cm <sup>2</sup> )	140° F (60° C)
N	1" Sanitary	Teflon®/SS	50 PSI (3.51 kg/cm <sup>2</sup> )	250° F (121° C)
P	1" Sanitary	316 SS**	50 PSI (3.51 kg/cm <sup>2</sup> )	250° F (121° C)
Q	2" Sanitary	Teflon®/SS	50 PSI (3.51 kg/cm <sup>2</sup> )	250° F (121° C)

\*\* Probe types A, D, E - non-conductive media only. Consult factory when mounting in fiberglass or lined vessels. Teflon® is a registered trademark of E.I. Du Pont, 2006. All rights reserved.



150 Venture Boulevard · Spartanburg, SC 29306  
Tel: (800) 778-9242 · (864) 574-8060  
Fax: (864) 574-8063  
E-mail: sales@bindicator.com  
www.bindicator.com

**venture**  
MEASUREMENT

SCL 280000 Rev. E

2012 All rights reserved.

All data subject to change without notice.