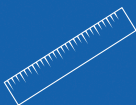




Count



Display



Measure



Time

Veeder-Root Large Figure Counter
1127, 1128, 1129, 1130, 1131, 1132 Series

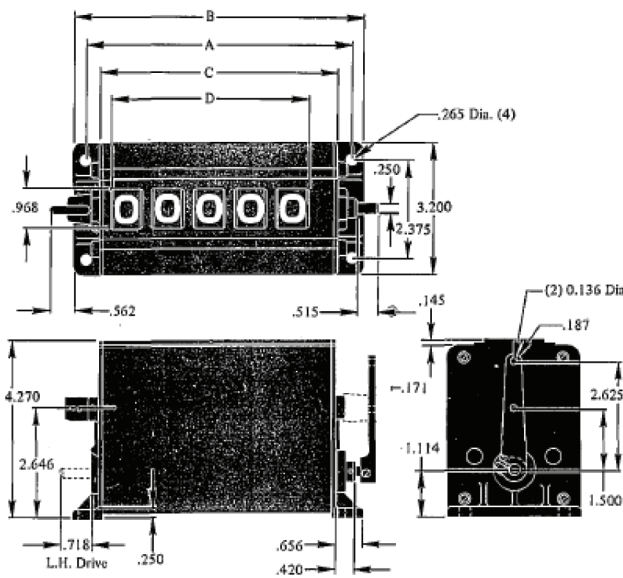
Large Figure Counter

1127, 1128, 1129, 1130, 1131, 1132 Series

- Built for rugged applications, such as, machine tools, textile machinery and production machines
- Well defined 3/4 inch high numbers for clear reading
- Available in direct, revolution or ratchet drives
- Available in reset or nonreset versions
- Count capacity of 3 to 5 figures



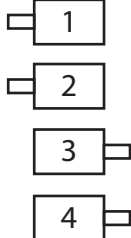
Dimensions



Number of Figures	A	B	C	D
3	4.437	5.062	3.75	2.781
4	5.437	6.062	4.75	3.781
5	6.437	7.062	5.75	4.781

Rotation Diagram

*As denoted by 6th number in item number



Standard Models

Direct Drive	0112715-001
	0112735-001
	0112745-001
Revolution Drive	0112815-001
	0112825-001
	0112835-001
	0112845-001
Ratchet Drive	0112915-001
	0112925-001
	0112935-005
	0112945-001

Specifications

1127 Series: Direct Drive, adds ten counts for each drive shaft revolution in specified rotation. Subtracts for opposite rotation if reset knob is unobstructed.

1128 Series: Revolution Drive, adds one count for each drive shaft revolution in specified rotation. Subtracts for opposite rotation if reset knob is unobstructed.

1129 Series: Ratchet Drive, adds one count for each drive shaft revolution through 36 to 47 ° arc. Max travel limited. Internal lever return spring. Ratchet models include lever.

Nonreset versions of the above series are available as nonstock, make items. **1130 Series** - direct drive; **1131 Series** - revolution drive; **1132 Series** - ratchet drive

On direct drive and revolution drive models the input shaft should be held in fixed position during reset operation to prevent free-wheeling and ensure complete reset.

Speed: Reset: direct and revolution drives 1000 cpm continuous, 1500 cpm intermittent. Ratchet drive 250 cpm continuous and intermittent. Nonreset: direct and revolution drives 1500 cpm continuous, 2000 cpm intermittent. Ratchet drive 250 cpm continuous and intermittent.

Torque (oz.-in.): Direct: 2.5 oz.-in. Revolution: 1.5 oz.-in.

Number of Figures: 3 to 5

Size of Figures: 0.75" (19.05mm) high by 0.605" (15.367mm) wide

Color of Figures: White on Black

Character Configuration: 0 to 9. Decimal point, cursor line, graduations, special configurations available

Reset: Plastic knob

Mounting: Base

Construction: End caps: plastic; case: steel; shafts: chrome plated steel; Pinions: phenolic; wheels: aluminum and steel

Net Weight: 4 lb. (1.81 kg)

Visit our website to learn more

danaherspecialtyproducts.com

800-390-6405

Legal Entity: Dynapar Corporation

Copyright Danaher Specialty Products ©2015. All Rights Reserved.

