



B90D Series DIN Rail Mount Timer

Save interior panel space, simplify wiring and improve performance with the Eagle Signal brand B90D DIN rail timer. The unit mounts on a standard 35mm DIN rail, and with multiple functions and time ranges enables you to standardize on one device to fulfill all your behind the panel timing needs.

The B90D Series offers improved performance via digital setting accuracy (0.5% compared to 10% on some analog set DIN rail timers) and eliminates fiddling with pots for "fine adjustment". The LCD display provides for simple timer setup, and provides progress indication and output status that can be helpful in troubleshooting/maintenance.

Internal 3 volt lithium batteries, with 10 year life, eliminate the need to provide and wire an external power source for this device. A wide range of DC start signals makes the B90D compatible for use with most sourcing prox and photo sensors, while AC input capability enables the unit to replace many plug-in TDRs and older electro-mechanical timers. All inputs are optically isolated and programmable for level or edge trigger operation. An 8 amp SPDT relay output can be used for direct switching of loads.



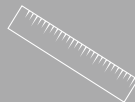
- Space saving 22.5 mm wide DIN rail mount design
- Field selectable choice of 8 timing modes
- Multiple time ranges allow settings from 0.2 seconds to 999 hrs.
- Digital Setting accuracy of $\pm 0.5\%$
- LCD display provides field programmability, progress indication and operation status
- Lithium battery provides long life and eliminates the need for external power
- SPDT contacts rated for up to 8 amps
- Single model accepts a wide range (12 V to 260 V) of AC and DC start signals
- UL recognized, CE compliant



TIME



COUNT



MEASURE

8:43

DISPLAY

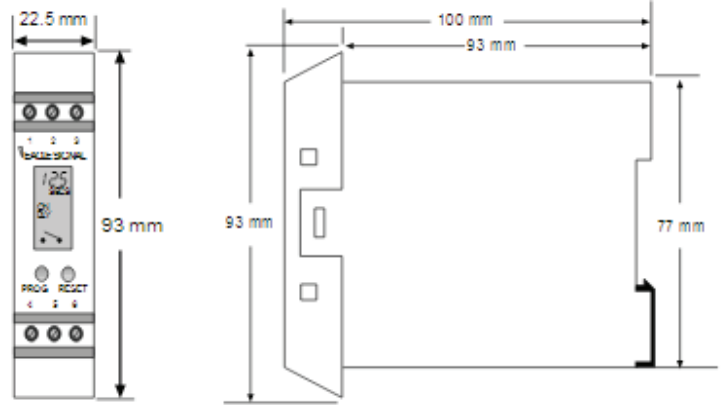


B90D Series DIN Rail Mount Timer

SPECIFICATIONS

INPUT	5 to 260 DC, PNP; 12 to 260 VAC
INPUT IMPEDANCE	10KΩ for 5 to 48 Volts, 180 KΩ for 48 to 260 Volts
MINIMUM PULSE	20ms
TRIGGERING	Edge or Level field programmable
OUTPUT	SPDT Relay
RATING	8 amp @ 260 VAC, 5 amp @ 30 VDC
EXPECTED LIFE	100,000 operations @ 8 amp resistive load, 1,000,000 operations @ 2 amps resistive load
DIMENSIONS	22.5 mm wide x 93mm high x 100 mm deep
MOUNTING	Spring clip connection to 35 mm DIN rail
WIRING	Front accessible screw terminals
DISPLAY	Black on silver LCD, 3 numeric digits, time base, operation mode and output status indicators
POWER SOURCE	Two non-replaceable 3V lithium batteries, 10 years expected life
TIME RANGES	0.2 to 99.9, 1 to 999 secs. 0.01 to 9.99, 0.1 to 99.9, 1 to 999 min. 0.01 to 9.99, 0.1 to 99.9, 1 to 999 hrs.
OPERATING MODES	On-Delay, Off-Delay, Interval, Symmetrical Repeat Cycle (On or Off start), Asymmetrical Repeat Cycle (On or Off start), On-Delay Interval
SETTING ACCURACY	± 0.5% of set time, or +50ms -20ms, whichever is greater
REPEAT ACCURACY	± 0.3% of set time
OPERATING TEMPERATURE	-10° to 60° C
STORAGE TEMPERATURE	-20° to 70° C
APPROVALS	UL recognized, CE compliant

DIMENSIONS



ORDERING INFORMATION

Standard Models

B90D-500 DIN Rail Mount Timer