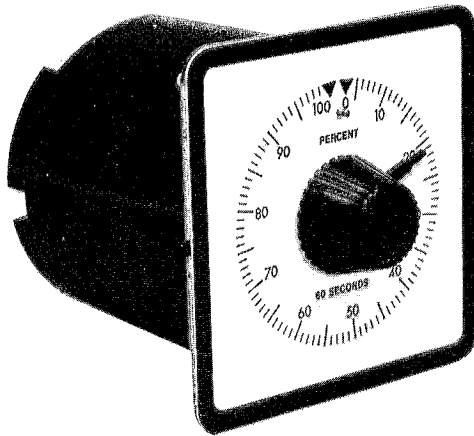




HQ4 SERIES 48 PERCENTAGE TIMER



The HQ4 Series 48 Percentage Timer is an accurate, economical, enclosed percentage timer designed for use in applications where a repetitive "ON" time of a fixed cycle needs to be variable. The HQ4 Series 48 Percentage Timer is ideally suited for:

- Irrigation Controls
- Chemical Feeding
- Program Temperature Controls
- Electric Heaters, Ovens
- Motor Control
- Lubrication Systems

The HQ4 Series 48 Percentage Timer is a panel mounted unit with exposed dial. The heavy duty front dial plate has 4 mounting studs for simple and secure mounting to panels up to 1/4 inch thick. The load switches and motor are enclosed for environmental protection. Connections* to load switches and timing motor are made to screw terminals on the rear of the unit.

OPERATION

A synchronous motor driven cam closes a snap action switch for a selected percentage of the total time cycle of the unit. Percentage settings are made with a knob and dial on the front of the unit. Settings may be made or changed with the timer operating. With a dial setting between 5 percent and 100 percent, terminals 2 and 3 are closed relative to the setting. At 100 percent setting, terminals 2 and 3 are closed continuously. At zero percent setting, terminals 2 and 3 are open continuously.

SPECIFICATIONS

Time Ranges

SYM	DIAL RANGE	SYM	DIAL RANGE
01	15 Sec	07	10 Min
02	30 Sec	08	15 Min
03	60 Sec	09	30 Min
04	120 Sec	10	60 Min
05	4 Min	11	120 Min
06	5 Min		

Voltage/Frequency

120 VAC (+10, -15%), 50/60 Hz
240 VAC (+10, -15%), 50/60 Hz

Contact Rating

10 Amps at 240 VAC
1/3 H.P. at 125-250 VAC
1/2 Amp at 125 VDC
1/4 Amp at 250 VDC

Setability

± 1% of total time cycle.

Operating Temperature

-10° to +140°F (-23° to +60°C)

Power Consumption (Burden)

4 VA Maximum

Laboratory Testing

U.L. Recognition E-61735
C.S.A. Certification LR-26861 

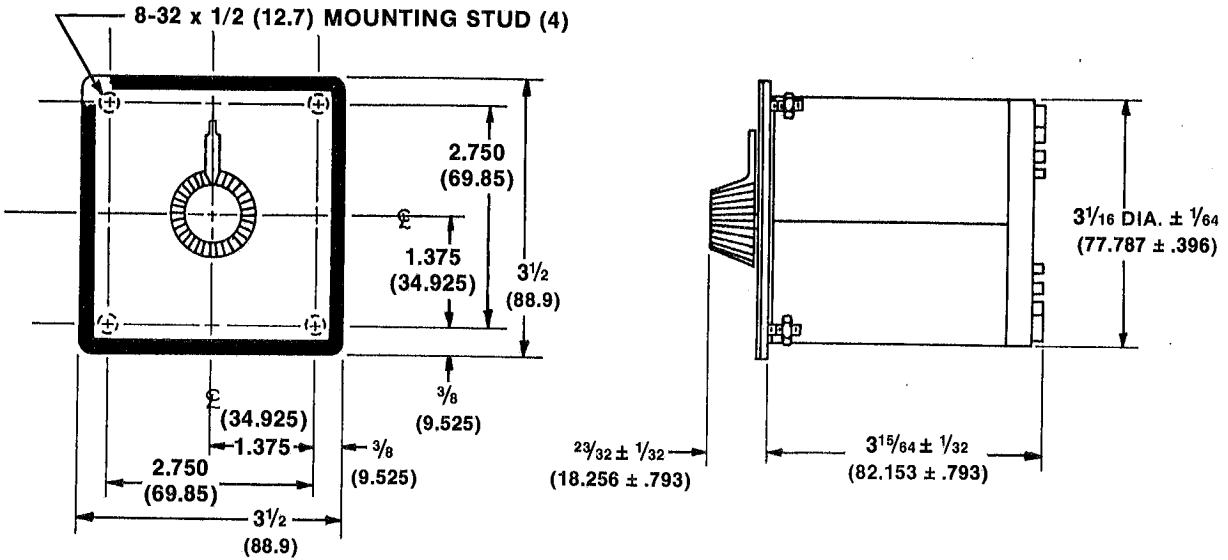
Eagle Signal Controls

Industrial Control Products
8004 Cameron Road, Austin, Texas 78754

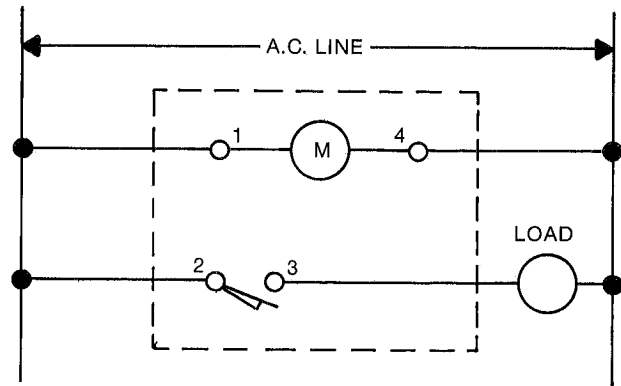
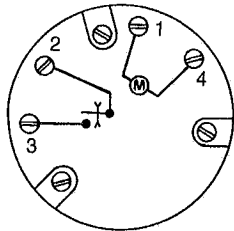
TIME CONTROL



MOUNTING DIMENSIONS



WIRING DIAGRAMS



ORDERING INFORMATION

Consult Eagle for availability of other time ranges, voltages and frequencies.

HQ4 01

Time Range

SYMBOL	DIAL RANGE	SYMBOL	DIAL RANGE
01	15 Sec	07	10 Min
02	30 Sec	08	15 Min
03	60 Sec	09	30 Min
04	120 Sec	10	60 Min
05	4 Min	11	120 Min
06	5 Min		

S48 A6 U

Series Voltage & Frequency

SYMBOL	DESCRIPTION
A5	120VAC 50 Hz
A6	120VAC 60 Hz
B5	240VAC 50 Hz
B6	240VAC 60 Hz