



***Economical, accurate percentage timer for adjustable on time of a fixed cycle... ideal for irrigation control, chemical injection,***

File No. E61735



The HQ4E series 48 percentage timer is an accurate, economical, enclosed percentage timer designed for use in applications where a repetitive ON time of a fixed cycle needs to be variable. The HQ4E series 48 percentage timer is ideally suited for:

- Irrigation controls
- Chemical feeding
- Program temperature controls
- Electric heaters, ovens
- Motor control
- Lubrication systems

The HQ4 series 48 percentage timer is a panel mounted unit with exposed dial. The heavy duty front dial plate has 4 mounting studs for simple and secure mounting to panels up to 1/4 inch thick. The load relays are enclosed for environmental protection. Electrical connections are made to captive screw terminals on the rear of the unit.

## OPERATION

Percentage settings are made with a knob and a dial on the front of the unit. Settings may be made or changed with the timer operating. At 100 percent setting, terminals 2 and 3 are closed continuously. At zero percent setting, terminals 2 and 3 are open continuously.

## SPECIFICATIONS

### Time Ranges:

SYM	DIAL RANGE	SYM	DIAL RANGE
01	15 Sec.	07	10 Min.
02	30 Sec.	08	15 Min.
03	60 Sec.	09	30 Min.
04	120 Sec.	10	60 Min.
05	4 Min.	11	120 Min.
06	5 Min.		

### Voltage/Frequency:

24 VDC (+10, -20%)  
120 VAC (+10, -15%) 50/60 Hz  
240 VAC (+10, -15%) 50/60 Hz

### Contact Rating:

INPUT	CONTACT RATING
24VDC	10A RESISTIVE, INDUCTIVE @ 120VAC, 1/2HP @ 120/240VAC
120VAC	10A RESISTIVE, INDUCTIVE @ 120VAC, 1/6HP @ 120VAC
240VAC	5A RESISTIVE, INDUCTIVE @ 240VAC, 1/2HP @ 240VAC

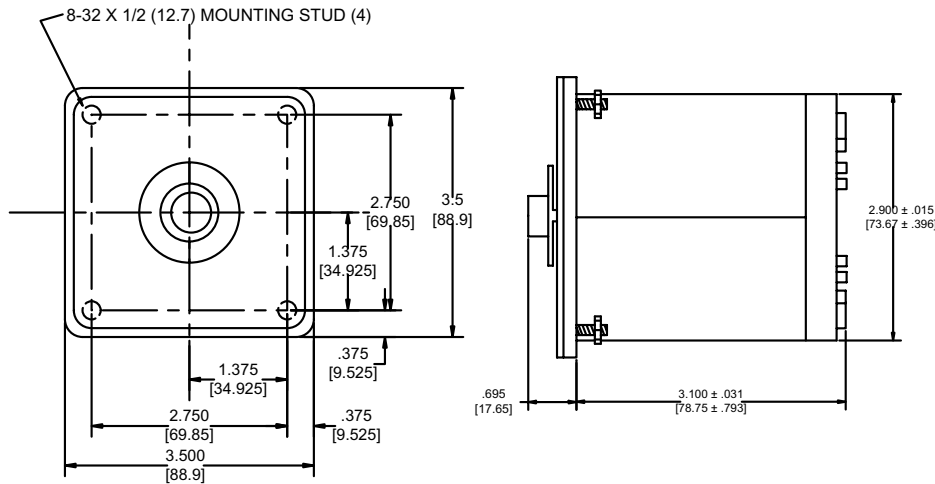
**Setability:** ±1% of total time cycle

**Temperature Range:** -10° to 140°F (-23° to +60°C)

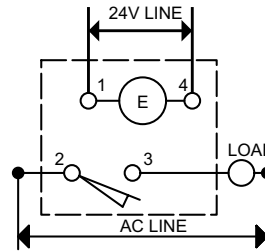
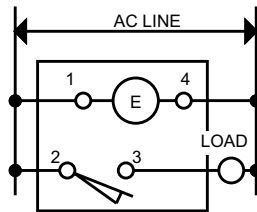
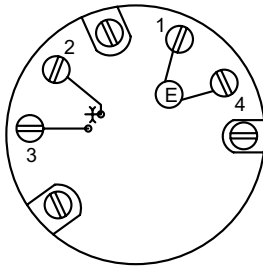
**Power Consumption:** 1.2 Watts

**Agency Approvals:** UL/CUL Recognition E61735

## MOUNTING



## WIRING DIAGRAMS



## ORDERING INFORMATION

### TIME RANGE

Sym.	Description	Sym.	Description
01	15 Sec.	07	10 Min.
02	30 Sec.	08	15 Min.
03	60 Sec.	09	30 Min.
04	120 Sec.	10	60 Min.
05	4 Min.	11	120 Min.
06	5 Min.		

**HQ4E** **01**

**S48**

**A6**

**SERIES**

### VOLTAGE & FREQUENCY

Sym.	Description
A6	120V, 50/60 Hz
B6	240V, 50/60 Hz
Z1	24 VDC

**DANAHER INDUSTRIAL CONTROLS**  
2100 West Broad Street  
Elizabethtown, NC 12345

**CUSTOMER CARE**  
Toll-Free: +1.800.390.6405  
Fax: +1.910.879.5486  
Email: etn-customerservice@dancon.com

**TECHNICAL SUPPORT**  
Toll-Free: +1.800.234.8731  
Fax: +1.847.782.5277  
Email: eagle-signal.techsupport@dancon.com