



Model 191 Push-Button Reset Timer

The Model 191 is a push-button start, motor driven timer with cycle progress pointer, double make-double break snap action switch and is used to energize a load for a preset time period. The push-button is located in the center of the time set pointer knob on the panel mounted dial. When depressed momentarily, a mechanical latch and switch is engaged, starting the motor and timing period. After completion of timing, switch 3 and 4 open, 1 and 2 close, motor stops, and timer resets to setpoint. Timer is now ready for another timing operation.

The standard timer has cycle progress and a 3 5/8 inch square bezel with window. The "01" feature does not include cycle progress indicator or bezel and window assembly.



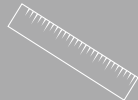
- Just set the dial and push the button to initiate an accurate time delay or interval cycle
- Provides an accurate, adjustable time delay or timed interval for control of a load circuit



TIME



COUNT



MEASURE

8:43

DISPLAY



Model 191 Push Button Reset Timer

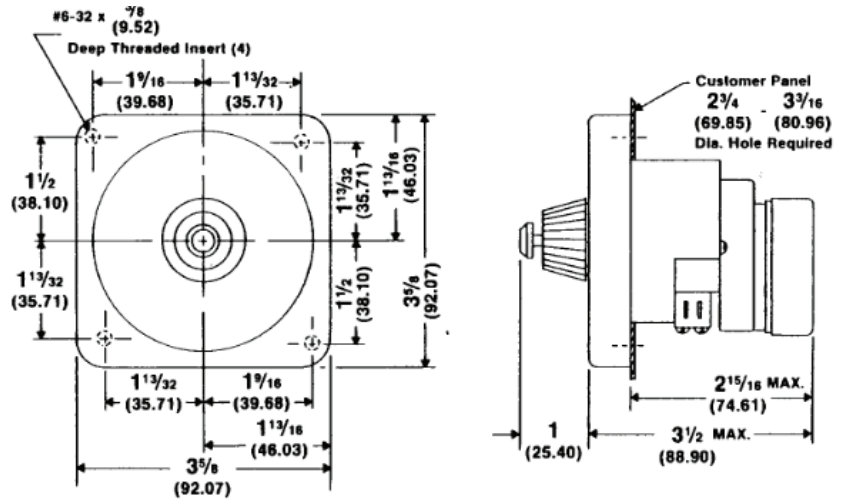
SPECIFICATIONS

DIAL RANGES	See table below
VOLTAGE/FREQUENCY	120V (+10%, -15%) 50/60Hz 240V (+10%, -15%) 50/60Hz
CONTACT RATING (RESISTIVE)	10A 120/240V
REPEAT ACCURACY	1.5% of full scale
SETTING ACCURACY	1.5% of full scale
TERMINATION	Motor - Loose Leads, 20 Ga., 6" long stripped 5/8" Switch - .188 x .250 x .020 Quick Connect Tabs
BURDEN	120VAC/3 watts 240VAC/3 watts
LABORATORY TESTING	U.L. Recognition E-61735 C.S.A. Certification LR-27967

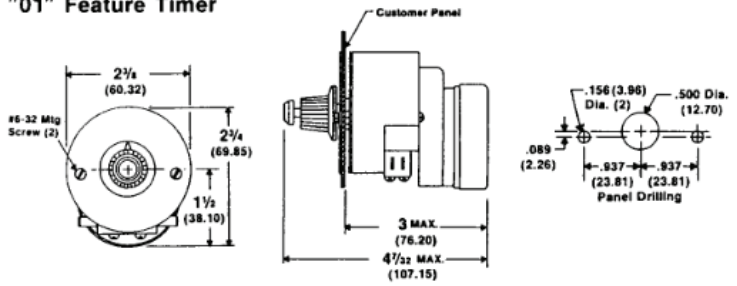
DIAL RANGES

SYMBOL	TIME RANGE	DIAL DIVISIONS
02	16 seconds	1/2 second
04	80 seconds	2 seconds
05	160 seconds	5 seconds
06	8 minutes	15 seconds
07	16 minutes	30 seconds
08	40 minutes	1 minute
09	80 minutes	2 minutes
11	8 hours	15 minutes
12	16 hours	30 minutes

DIMENSIONS



"01" Feature Timer



XXX - inches

(XXX) - millimeters

ORDERING INFORMATION

191 -



TIME RANGES

- 02 - 16 seconds
- 04 - 80 seconds
- 05 - 160 seconds
- 06 - 8 minutes
- 07 - 16 minutes
- 08 - 40 minutes
- 09 - 80 minutes
- 11 - 8 hours
- 12 - 16 hours



VOLTAGE/FREQUENCY

- A5 - 120V 50Hz
- A6 - 120V 60Hz
- B5 - 240V 50Hz
- B6 - 240V 60Hz



FEATURES

- 01 - Timer with exposed dial. No cycle progress pointer. Two tapped hole mounting

WIRING

By placing a jumper between terminals 1 and 4 of switch, a form "C" SPDT switch is obtained. When manually depressed, push-button switch is mechanically latched in the "4-3" closed position. At time out, latch is released and "4-3" opens.

