

## 7283 Series High Speed Counter

Five direct acting pushbuttons, one for each counter digit, let the 7283 Series be preset to any value to 99,999. At each reset, the preset value is returned to the display, and output contacts are switched to provide electrical control of an external circuit. Primary count direction is downward. When the count reaches zero, the contact is switched to its original condition. Exact design specifications and manufacturing standards allow continuous operation at rates to 6000 counts per minute (ball bearing model).

A unique short-stroke, antiscramble, lever-reset mechanism assures correct wheel registration at every operation. Its double shaft extension accepts dual measuring wheels for linear measuring applications – providing reliable, stable contact with the measured material. Special models are available with options such as: special wheel colors; gear ratio variations; panel mounting.



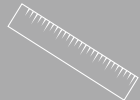
- Fast lever-action reset is positive and reliable
- High speed, bidirectional counting to 6000 CPM
- 5 figures – high contrast white-on-black numerals
- Form-c (spdt) output contacts rated 115/230 VAC, 10 amps
- Geared drive mechanism for long, accurate, service life
- Strong 5/16" (7.9mm) stainless steel shaft
- Double shaft extension is ideal for measuring wheels
- Permanently lubricated, high reliability sleeve bearings
- Ball bearing model for extra high speed operation
- Reset lever may be positioned on left or right side



TIME



COUNT



MEASURE

8:43

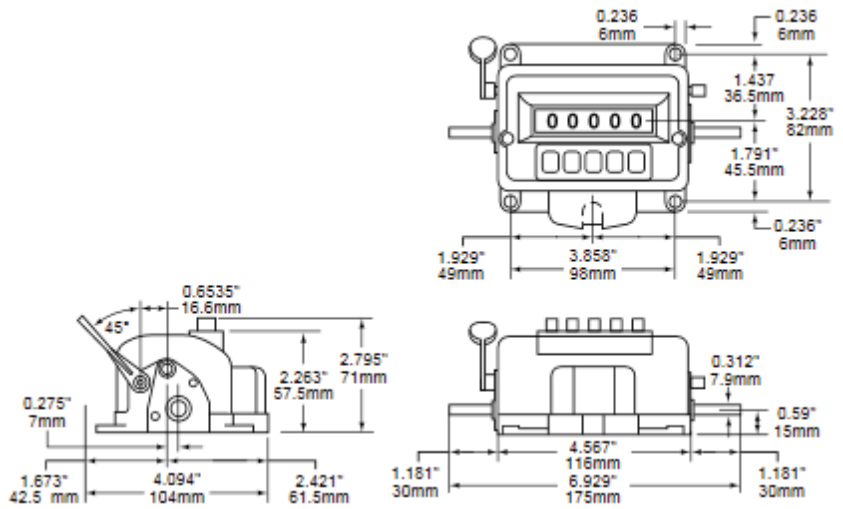
DISPLAY

# 7283 Series High Speed Counter

## SPECIFICATIONS

DRIVE	Subtracts one count for specified number of drive shaft revolutions; adds in opposite rotation
SPEED	Sleeve bearings: 4000 rpm or cpm continuous; Ball Bearings: 6000 rpm or cpm continuous
RATED LIFE	500 million counts or 1 million resets under normal operating conditions
TORQUE	4 oz-in. (2.83 N.cm) maximum
GEARING	1:1; 3:1 non standard
CONTACT CAPACITY	10 amp at 120 to 240 VAC, 60 Hz; SPDT switch; switch actuation at reset
NUMBER OF FIGURES	5
SIZE OF FIGURES	0.256" high x 0.160" wide (6.5mm x 4.1 mm)
COLOR OF FIGURES	White on black
PRESET	5 pushbuttons
MOUNTING	Base
OPERATING TEMPERATURE	0° to +131°F (-18° to +55°C)
CONSTRUCTION	Case, Cover: Cast aluminum Wheels: Acetal resin with steel gear and heart cam Drive Gears: Steel Shafts: Stainless steel Pinions: Nylon Bearings: Porous bronze sleeve or precision ball

## DIMENSIONS



## ORDERING INFORMATION

### Standard Models

- 728315-001 Sleeve Bearing, Clockwise Rotation, Left Shaft
- 728315-501 Ball Bearing, Clockwise Rotation, Left Shaft
- 728325-001 Sleeve Bearing, Counterclockwise Rotation, Left Shaft
- 728325-501 Ball Bearing, Counterclockwise Rotation, Left Shaft

Special variations may be available. Please consult factory.

