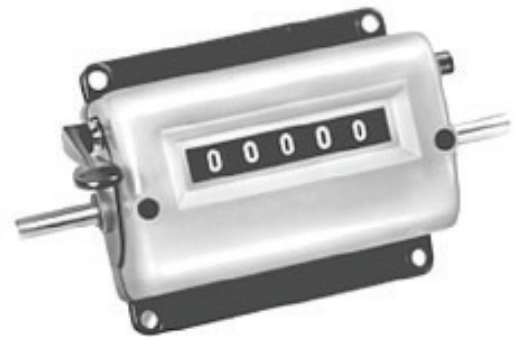


7298 Series High Speed Counter

The 7298 Series is high speed with a quick reset counter. Exacting design specifications and manufacturing standards make this high speed totalizer appropriate for continuous operation at rates to 6000 counts per minute (ball bearing model). Its unique short-stroke, antiscramble, lever-reset mechanism assures correct wheel registration at every operation. Its double shaft extension accepts dual measuring wheels for linear measuring applications – providing reliable, stable contact with the measured material.

Special models are available with options such as: special wheel colors, gear ratio variations, panel mounting.



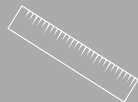
- Fast lever-action reset is positive and reliable
- High speed, bidirectional counting to 6000 cpm
- 5 figures – high contrast white-on-black numerals
- Geared drive mechanism for long, accurate, service life
- Strong 5/16" (7.9 mm) stainless steel shaft
- Double shaft extension is ideal for measuring wheels
- Permanently lubricated, high reliability sleeve bearings
- Ball bearing model for extra high speed operation
- Ideal for high speed coil winding or linear measurement tasks



TIME



COUNT



MEASURE

8:43

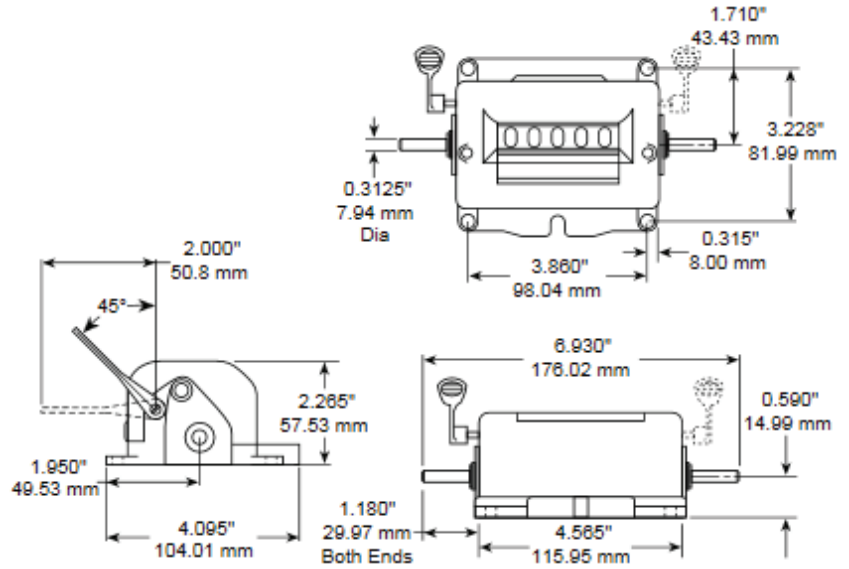
DISPLAY

7298 Series High Speed Counter

SPECIFICATIONS

DRIVE	Geared Drive, adds one count for drive shaft revolution, subtracts in opposite rotation
SPEED	Sleeve Bearings: 4000 rpm or cpm continuous Ball Bearings: 6000 rpm or cpm continuous
SHAFT DIAMETER	0.312 in. (7.9 mm); (when used with measuring wheel, requires wheel with 0.313 in. bore.)
TORQUE	4 oz-in. maximum
GEARING	1:1
NUMBER OF FIGURES	5
SIZE OF FIGURES	0.256" high x 0.160" wide (6.5mm x 4.1 mm)
COLOR OF FIGURES	White on black
RESET	Manual lever
LUBRICATION	Not required
MOUNTING	Base
OPERATING TEMPERATURE	0° to +131°F (-18° to +55°C)
CONSTRUCTION	Case, Cover: Cast aluminum Wheels: Acetal resin with steel gear and heart cam Drive Gears: Steel, brass or acetal resin Shafts: Stainless steel, 5/16" diameter Pinions: Nylon Bearings: Porous bronze sleeve or precision ball
WEIGHT	2 lb. (907g)

DIMENSIONS



ORDERING INFORMATION

Standard Models

- 729825-003 Sleeve Bearing, Geared Drive
- 729825-502 Ball Bearing, Geared Drive

Special variations may be available. Please consult factory.

