

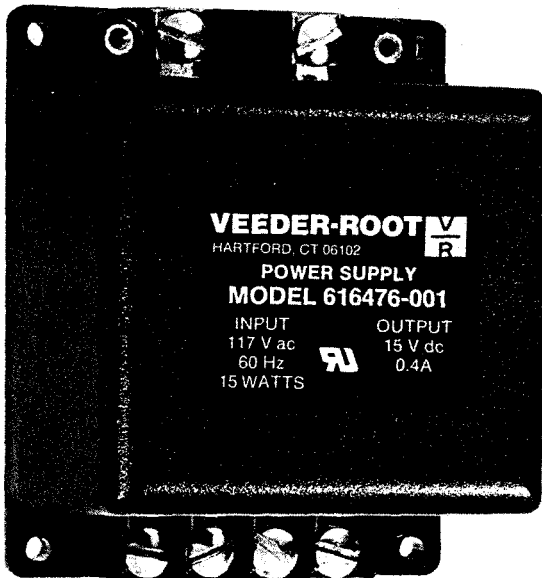


616476-001

ACCESSORY 15 V dc POWER SUPPLY

INSTALLATION AND OPERATION INSTRUCTIONS

Manual No. 576013-247



Dimensions:

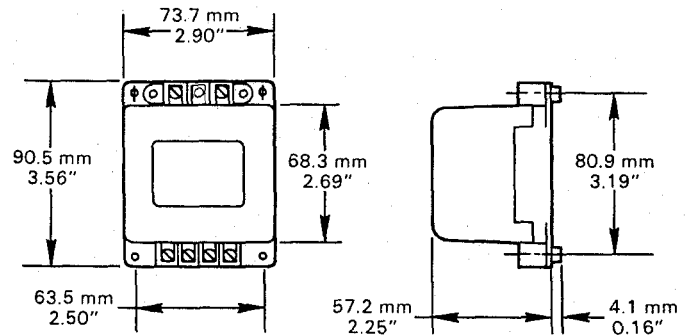


Figure 1. Mounting Dimensions.

1. GENERAL DESCRIPTION. The Model 616476-001 Power Supply is for use with the following Veeder-Root products:

- 7902 and 7996 Electronic Counters
- 7971 Elapsed Time Indicator
- DC Powered Proximity Switches and Sensors
- Most Veeder-Root Pulse Generators and Rotary Contactors
- Some Electric Counters

It may also be used for any application that requires a 15 V dc @ 400 mA power supply.

2. SPECIFICATIONS.

Electrical (UL Recognized):

Input: 105 - 129 V ac @ 60 Hz, 15 watts.

Output: 15 V dc @ 400 mA (all terminals loaded).
 10 mV RMS ripple.
 ±5% regulation line and load.
 Short circuit and thermal protected.

Environmental:

Operating Temperature: 0° C to 40° C (32° F to 104° F)*
 Storage Temperature: -40° C to 70° C (-40° F to 158° F)
 *Not intended for outdoor use.

Mechanical:

Case Material: High impact resistant thermoplastic.
 Case Color: Black.
 Connections: Screw terminals.

3. INSTALLATION. The unit may be mounted via the screw holes in the base to any flat surface that is free from severe vibration. The operating environment must also be non-explosive and free from extreme temperatures and excessive humidity. Note that this product is not intended for outdoor use.

WARNING: IF INSTALLATION IS TO BE IN A VOLATILE, COMBUSTIBLE OR EXPLOSIVE ATMOSPHERE, THIS PRODUCT MUST BE HOUSED IN AN APPROPRIATE ENCLOSURE AS REQUIRED FOR USE IN SUCH ATMOSPHERE BY NATIONAL ELECTRICAL CODE AND ANY LOCAL APPLICABLE STANDARDS.

Electrical connections are made to the unit via the screw terminals (see Figure 2). It is recommended that spade lugs be used to ensure secure connections. Before applying AC power to the unit confirm proper wiring and **install the protective cover provided over the AC input terminals.** This cover must be installed to help prevent anything or anybody from coming in contact with line level voltages.

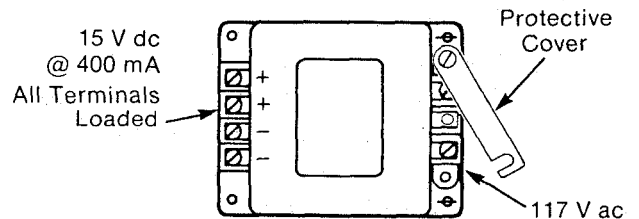


Figure 2. Top view with voltage ratings at designated terminals and protective cover to be put in place.