



VRF180002 Rev. F

VRF-1000R Series
of Variable Radio Frequency
Point Level Sensors
Remote Electronics with Opti-Sense™



**INSTALLATION,
OPERATION &
MAINTENANCE MANUAL**

SAFETY INFORMATION

Before installing the VRF-1000 model, please read these instructions and familiarize yourself with the requirements and functions. If any questions or problems arise during the installation, please contact Bindicator® Applications at 1-800-778-9242.

The VRF-1000 model must only be installed and operated as described in this operating instruction. Please note that other action can cause damage for which Bindicator® does not take responsibility. If the model is not installed correctly or used in approved applications, dangers may arise such as product overflow.

Ensure that all personnel installing, wiring, and calibrating this device are suitably qualified.

Observe all local and national electrical codes for the wiring of this device.

TABLE OF CONTENTS

1.0 Product Description		Page
1.1	Function	1
1.2	Applications	1
1.3	Model Code Identification	1
1.4	Technical Specifications/Approvals	2
1.5	Dimensions	2
2.0 Handling and Storage		
2.1	Inspection and Handling	2
2.2	Storage	2
3.0 Mechanical Installation		
3.1	Guidelines	3
3.2	Mounting	3
4.0 Electrical Wiring		
4.1	Guidelines	3
4.2	Connection Information/Wiring Diagram	4
5.0 Set-up & Calibration		
5.1	Operation	5
5.2	Settings and Adjustments	5
6.0 Start-up & Operation		6
7.0 Maintenance / Parts List		6
8.0 Trouble Shooting		6
9.0 Appendix		7

1.0 PRODUCT DESCRIPTION

1.1 Function

The VRF-1000 is a line powered (AC or DC) material level sensor that outputs a DPDT relay contact. The electronics and probe are integral. It is a "point level" sensor used to detect the presence or absence of material at a point inside a tank, bin, or other vessel. Material coming in contact with the unit's probe causes its output relay to change state, thereby indicating to the user material presence.

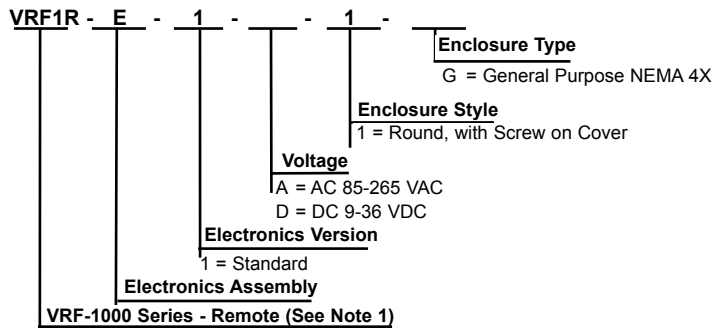
Operation of the VRF-1000 is based upon Bindicator's Opti-Sense™ technology using Variable Radio Frequency (VRF™) which automatically selects the optimal operating frequency (20 KHz to 100 KHz) of the low voltage signal applied to the probe depending on the probe circuit impedance.

A dual core microprocessor scans the probe circuit and digitally analyzes voltage and current values to characterize the complex impedance seen by the probe. The digital signal processor continuously analyzes the conductance and susceptance of the probe circuit and calculates when to alarm the unit.

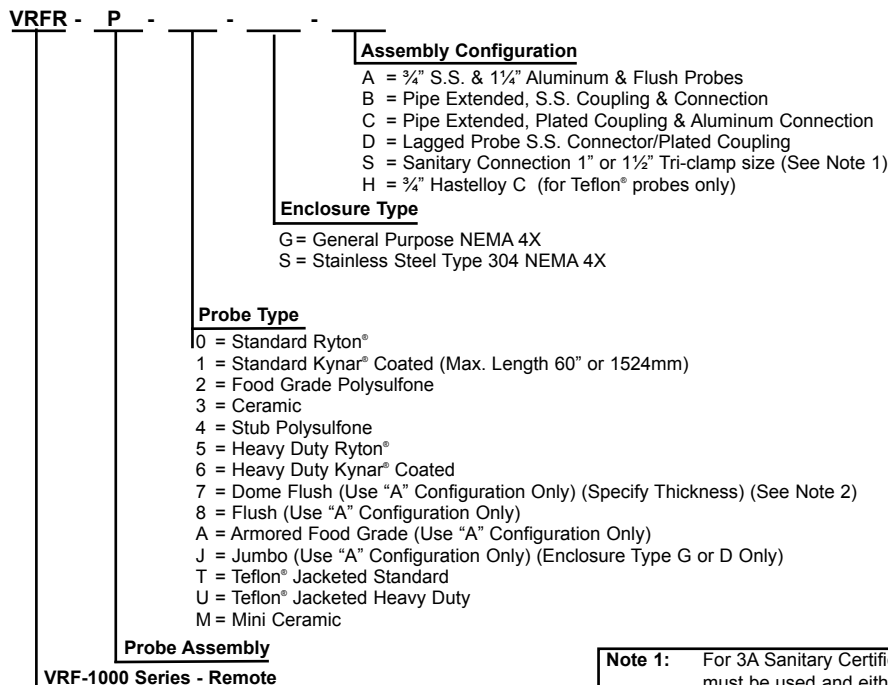
1.2 Applications

- Point level detection of granulars, powders, liquids, and slurries.
- Measurement of materials with a dielectric constant as low as 1.2.

1.3 Model Code Identification



Note 1: Sensor cannot be more than 25 feet (8m) from electronics.



Note 1: For 3A Sanitary Certification add "3A" at end of the model code. Configuration "S" must be used and either "Type 2" Food Grade probe or "Type 4" Stub probe.

Note 2: Thickness of probe must be specified: 3/8", 1/2", 3/4" or 1" wall thickness.

1.4 Technical Specifications/Approvals

Electronics

Line Voltage:	AC Models 85 VAC to 265 VAC; DC Models 9 VDC to 36 VDC
Power Consumption:	5.5 watts
Output Relay:	2 form C (DPDT) 6 amps @ 240 VAC, 6 amps @ 30 VDC, Minimum load 12V/100ma
Temperature Range:	-40° F to 158° F (-40° C to 70° C)
Sensitivity Settings:	See Section 5.2
Selectable Time Delay:	See Section 5.2

Probes

Standard Duty:	316 S.S. and Ryton®, 150 PSI (10.5 kgs/cm ²), -100° F to +450° F (-73° C to +232° C)
Standard Kynar® Coated:	316 S.S. and Ryton® coated with Kynar®, 50 PSI, (3.5 kgs/cm ²), -100° F to 250° F (-73° C to +121° C)
Food Grade:	316 S.S. and Polysulfone, 150 PSI (10.5 kgs/cm ²), -30° F to +300° F (-34° C to +149° C)
Stub:	316 S.S. and Polysulfone, 150 PSI (10.5 kgs/cm ²), -30° F to +300° F (-34° C to +149° C)
Heavy Duty:	316 S.S. and Ryton®, 150 PSI (10.5 kgs/cm ²), -100° F to +450° F (-73° C to +232° C)
Heavy Duty Kynar® Coated:	316 S.S. and Ryton® coated with Kynar®, 50 PSI, (3.5 kgs/cm ²), -100° F to 250° F (-73° C to +121° C)
Flush & Dome Flush:	316 S.S. and Epoxy 50 PSI (3.5 kgs/cm ²), -30° F to +200° F (-34° C to +93° C)
Armored Food Grade:	316 S.S. and Food Grade Epoxy, 150 PSI, -30° F to +230° F (-34° C to +110° C)
Jumbo:	316 S.S. and Epoxy, 50 PSI, (3.5 kgs/cm ²), -30° F to +200° F (-34° C to +93° C)
Teflon® Jacketed:	316 S.S. and FEP Teflon® 50 PSI, (3.5 kgs/cm ²), -30° F to +250° F (-34° C to +121° C)
Teflon® Jacketed Heavy Duty:	316 S.S. and FEP Teflon® 50 PSI, (3.5 kgs/cm ²), -30° F to +250° F (-34° C to +121° C)
Fly Ash Probe:	316 S.S. and Ryton® coated with Kynar®, 50 PSI, (3.5 kgs/cm ²), -100° F to 250° F (-73° C to +121° C)

1.5 Dimensions

See section 9.0 for appropriate model drawing and applicable housing and probe dimensions.

2.0 HANDLING AND STORAGE

2.1 Inspection and Handling

The VRF-1000 is individually packed to provide adequate protection during shipping and has been tested and calibrated at the factory. When the unit is received it should be inspected for damage that may have occurred due to mishandling during shipping. If the unit is received damaged, do not dispose of the carton or packing material, and notify the shipping carrier immediately. If you have any problems or questions consult Bindicator® Customer Care at 1-800-778-9242.

2.2 Storage

After receiving the VRF-1000, care should be taken to avoid damage. If the unit is not scheduled to be installed soon after delivery, the following steps should be taken:

1. After inspection, repackage the unit into its original packaging.
2. Select a clean dry site free of vibration, shock, and impact hazards.

If the VRF™ point level unit will be in storage for more than 30 days, it must be stored in a non-condensing atmosphere less than 100% relative humidity. **DO NOT STORE THE UNPOWERED UNIT OUTDOORS FOR A PROLONGED PERIOD.**

3.0 MECHANICAL INSTALLATION

3.1 Guidelines

The probe can be mounted on the side of the vessel horizontally, or on the top of the vessel vertically. The probe should be located out of the direct flow of material into the vessel.

3.2 Mounting

Consult the applicable dimensional drawing in section 9.0 for mounting information on your model.

4.0 ELECTRICAL WIRING

4.1 Guidelines

The VRF™ unit is a line powered point level switch with a DPDT isolated relay contact output. Wiring will consist of:

- Grounding
- Input supply line power
- Output relay contacts for signal/control

Conduit-Cable Connection

Two threaded 3/4" NPT female conduit openings are provided in the housing for input and output wiring. When only one conduit opening is used for installation, the unused opening must be sealed with a suitable Type 4X/IP66 3/4" - 14 NPT plug with pipe sealant in order to maintain approval requirements.

Input Power

The VRF™ unit is either an AC or DC input model. Consult section 1.3 model codes, and the nameplate of the unit to determine the proper power supply.

Connection Information

See Figures 1 and 2 in section 4.2 for location of input and output wiring.

Interconnection - Electronics to probe:

- Belden #9268 coax plus ground wire (LUC035208/LUC035661).
- If > 160°F use high temperature cable (LUC035209/LUC035351)
- Must be in dedicated metallic conduit!
- Termination Kit - LRF110039

REVISIONS	BY	DATE	APPROVED
A	XXXXXXXX	XXXX-XX-XX	YY
B	XXXXXXXX	XXXX-XX-XX	YY
C	XXXXXXXX	XXXX-XX-XX	YY

ASSEMBY NO.	DETAILS	DESCRIPTION
LRF110025	1 THRU 3	CABLE TERM. KIT
LRF110026	2 THRU 8	14-TERM. CABLE TERM. ASSEMBLY

SEE NOTE 6 -	QTY	DESCRIPTION	PART NO.
8	1	36" SHROUD TUBING	LUC037621
7	1	36" SHROUD TUBING TIE/FLN	LUC037617
6	1	1/4" DIA. HE. STABILITY COAXIAL	LUC036809
5	1	1/4" SHROUD TUBE	LUC036804
4	2	TERMINAL STRAP	LUC036840
3	1	ASS'Y SHIELD WIRE	LUC036840
2	2	FERRULE	LUC036840
1	1	1/4" FN-62 COAXIAL CABLE	LUC036809

FILE	DATE	REV	BY	CHKD	DATE
LRF110025		B			

IMPORTANT! Either AC or DC power is to be connected to the power input depending on the model. Consult the nameplate of the unit and section 1.3 to determine what type of power is required. Consult section 1.4 for the allowable voltage ranges.

4.2 Connection Information/Wiring Diagram

See Figure 1 for location of input and output terminal blocks. Agency approved insulated barrel type terminals are supplied in the input terminal block to provide additional safety. These terminals must be used in order to maintain approval requirements. See Figure 2 for output contact positions during stages of operation.

IMPORTANT! An electrical earth ground connection must be made to the housing input ground screw. See Figure 1 for location. This connection is needed for both electrical safety and proper operation of the unit. This is required for both AC and DC units.

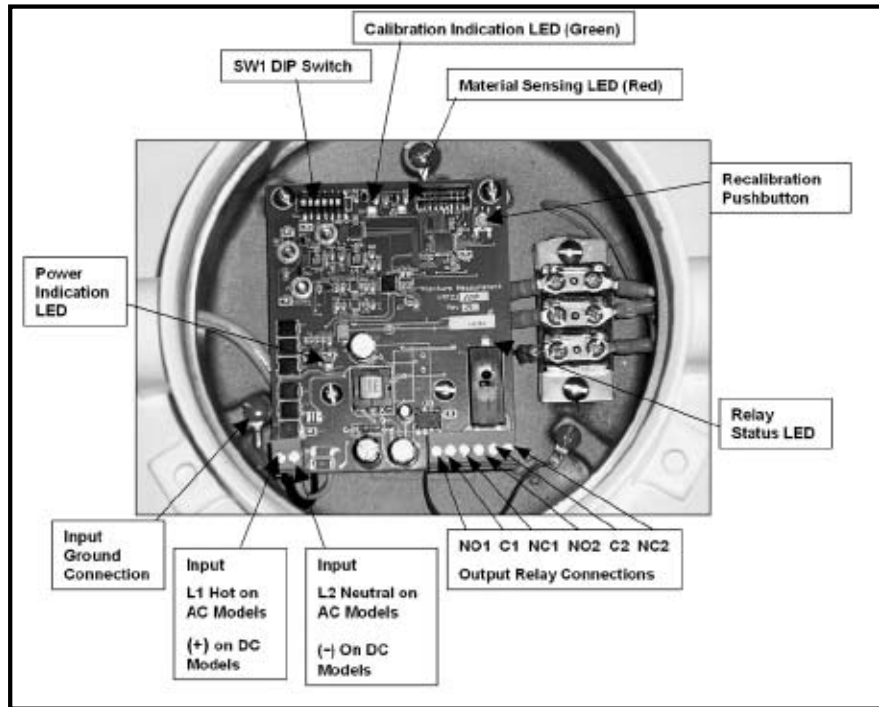


Figure 1. VRF-1000 Electronics

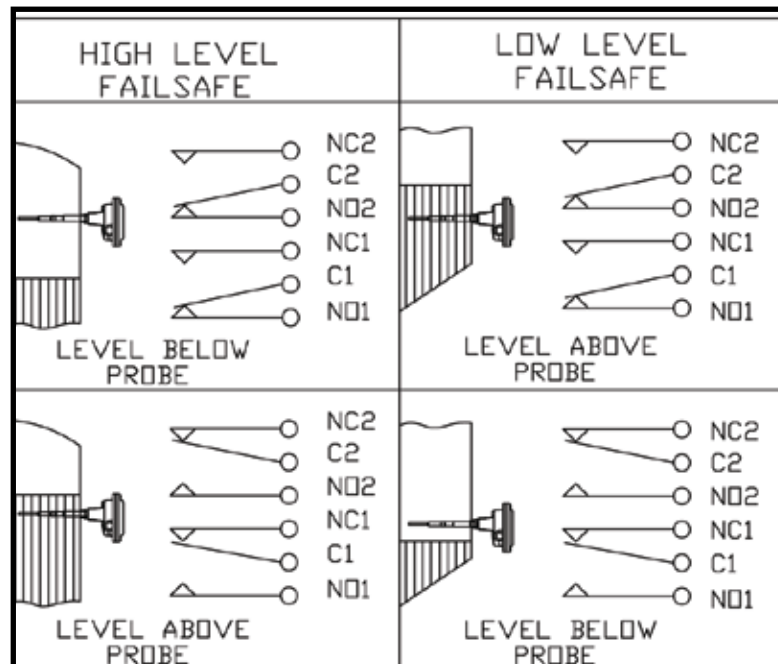


Figure 2. High/Low Level Failsafe

The output relay contacts are labeled in the un-powered alarm state. The relay is energized when the VRF-1000 is not alarmed. This status may be opposite that of other Bindicator® brand units. If the VRF-1000 is replacing an older Model RF-8000 or RF-9000 unit, connections will need to be opposite. If a connection was made to the NC1 terminal of the RF8/9000, connect now to the NO1 terminal of the VRF-1000. C1 and C2 connections remain the same.

5.0 SET-UP AND CALIBRATION

5.1 Operation

The VRF™ unit will begin operating when powered up. The sensitivity, failsafe, and time delay settings can be made without power applied. Recalibration will require that the unit be powered. Changes to the sensitivity, failsafe, and time delay do not require a recalibration.

5.2 Settings and Adjustments

Failsafe Selection

The VRF™ is shipped from the manufacturer in the high level failsafe condition. This setting is made on DIP switch SW1, position 5. See Figure 1 in section 4.2.

High Level Failsafe Operation

- DIP Switch SW1 position 5 is on.
- If the electrical power fails, the relay turns off. This indicates material as if the tank were full.
- Relay status LED is on when no material is present, and off when material is present.
- Material sensing LED is off when no material is present, and on when material is present.
- NC output contacts are open when no material is present and closed when material is present.
- NO output contacts are closed when no material is present and open when material is present.

Low Level Failsafe Operation

- DIP Switch SW1 position 5 is off.
- If the electrical power fails, the relay turns off. This indicates material as if the tank were empty.
- Relay status LED is off when no material is present, and on when material is present.
- Material sensing LED is off when no material is present, and on when material is present.
- NC output contacts are closed when no material is present and open when material is present.
- NO output contacts are open when no material is present and closed when material is present.

Sensitivity Setting

The VRF™ is shipped from the manufacturer in the 2pF setting. This setting is made on DIP switch SW1 positions 1 and 2. See Figure 1 in section 4.2.

SW1 Position 1	SW1 Position 2	Time Delay
Off	Off	1pF, High
Off	On	2pF
On	Off	5pF, Medium
On	On	10pF, Low

Time Delay Setting

The VRF™ is shipped from the manufacturer in the minimum time delay setting. This setting is made on DIP switch SW1 positions 3 and 4. This setting will delay the time between when the VRF™ unit senses material and the output relay changes state. The delay is only in this direction, regardless of failsafe setting. There will be no delay when the material leaves the probe. See Figure 1 in section 4.2.

SW1 Position 3	SW1 Position 4	Time Delay
Off	Off	1 second
Off	On	4 seconds
On	Off	8 seconds
On	On	15 seconds

Enable Automatic Calibration Feature

The VRF-1000 features EZ-CAL[®] II. This feature consists of three parts. First, is an automatic calibration when the unit is first powered up. This should be done when no material is present at the probe. Second, is an automatic recalibration if the VRF[™] electronics senses that the capacitance of the probe circuit has decreased significantly from what it was when it was last calibrated. Third, is the ability to manually recalibrate by momentarily pushing the recalibration pushbutton. See Figure 1 in section 4.2. The VRF-1000 is shipped from the manufacturer with the automatic calibration/recalibration feature enabled. If only manual pushbutton calibration/recalibration is desired, set SW1 DIP switch position 6 to off.

6.0 START-UP AND OPERATION

The VRF-1000 will automatically begin operation when powered up. It should be initially powered after it is installed in the application and with material below the probe. When initially powered up, the VRF-1000 will automatically begin a 3 second calibration operation. The unit will then operate according to the settings made which are described in section 5.2.

If the unit is powered on the bench prior to installation, or moved from one installation to another, recalibration is required. Momentarily press the recalibration pushbutton. See Figure 1 in section 4.2 for location. The green calibration indication LED will go off, and after 3 seconds illuminate to indicate calibration is complete.

7.0 MAINTENANCE AND PARTS LIST

If it should become necessary to replace any parts on the VRF-1000 unit, please contact Bindicator[®] Customer Care Department at 1-800-778-9242. You will need the model number and date code from the nameplate located on the cover of the unit. An engineer will assist you with identifying what replacement parts are available for this model.

8.0 TROUBLE SHOOTING

If problems are experienced with the VRF-1000 unit, check the following:

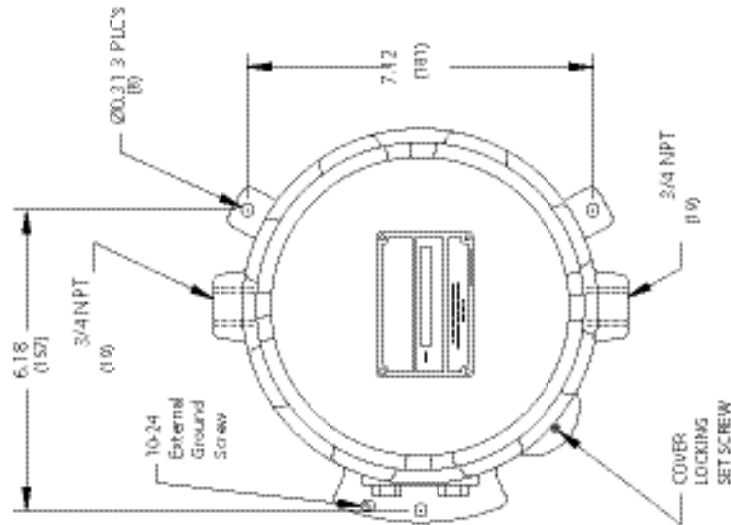
- Check for proper input voltage. If correct, the "Power Indication LED" should be illuminated. See Figure 1 in section 4.2 for location.
- Check that a good electrical earth ground is terminated to the "Input Ground Connection" screw on the housing of the unit.
- Recalibrate the unit as described in section 6.0.

Please contact Bindicator[®] Customer Care Department at 1-800-778-9242 for further assistance.

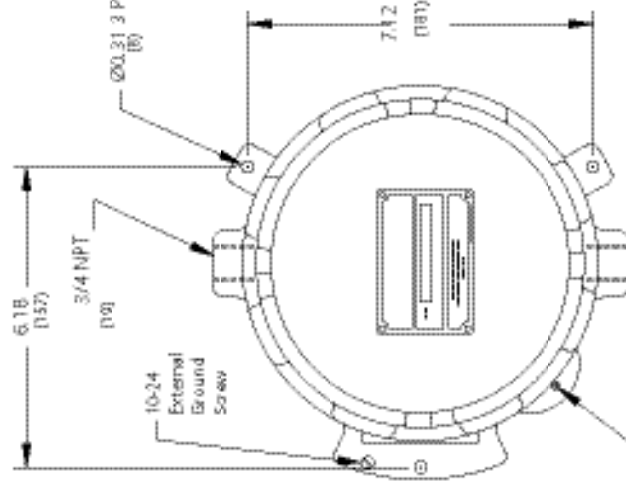
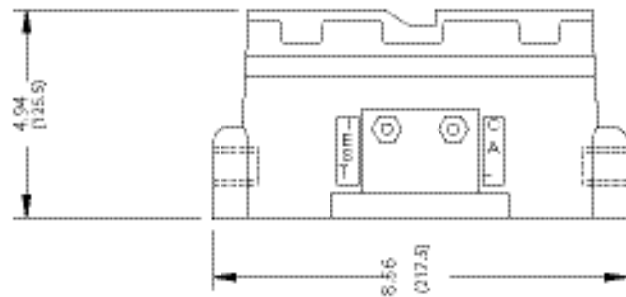
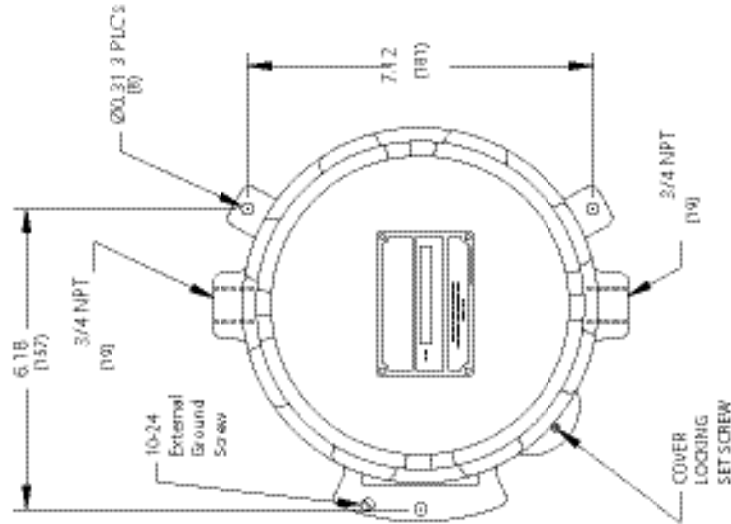
9.0 APPENDIX

Drawing Description	Drawing Number	Rev.	Page
REMOTE HOUSING FOR VRF2000	SK55003	A	8
GP VRF1000 REMOTE PROBE	VRF185013	A	9
VRF1000 REMOTE PROBE EXT. G/P TYPE "B" MOUNTING	VRF185014	A	10
VRF1000 REMOTE PROBE EXT. G/P TYPE "C" MOUNTING	VRF185015	A	11
REMOTE PROBES GP VRF1000 (SANITARY MOUNTING)	VRF185016	A	12
VRF1000 REMOTE CERAMIC PROBE	VRF185017	A	13
VRF1000 REMOTE MINI CERAMIC PROBE	VRF185018	A	14
REMOTE WIRING FOR VRF1000	VRF185019	A	15
VRF1000 REMOTE PROBE LAGGED TYPE "D" MOUNTING G/P AND X/P	VRF185021	A	16

VRF2000 Remote Hsg



VRF1000 Remote Hsg



DO NOT SCALE DIMENSIONS. ALL DIMENSIONS ARE IN INCHES.
DIMENSIONS IN PARENTHESES ARE IN MILLIMETERS.

REV	DATE	DESCRIPTION
A	30-11-06	REVISED TO 1-1-10K APPROX

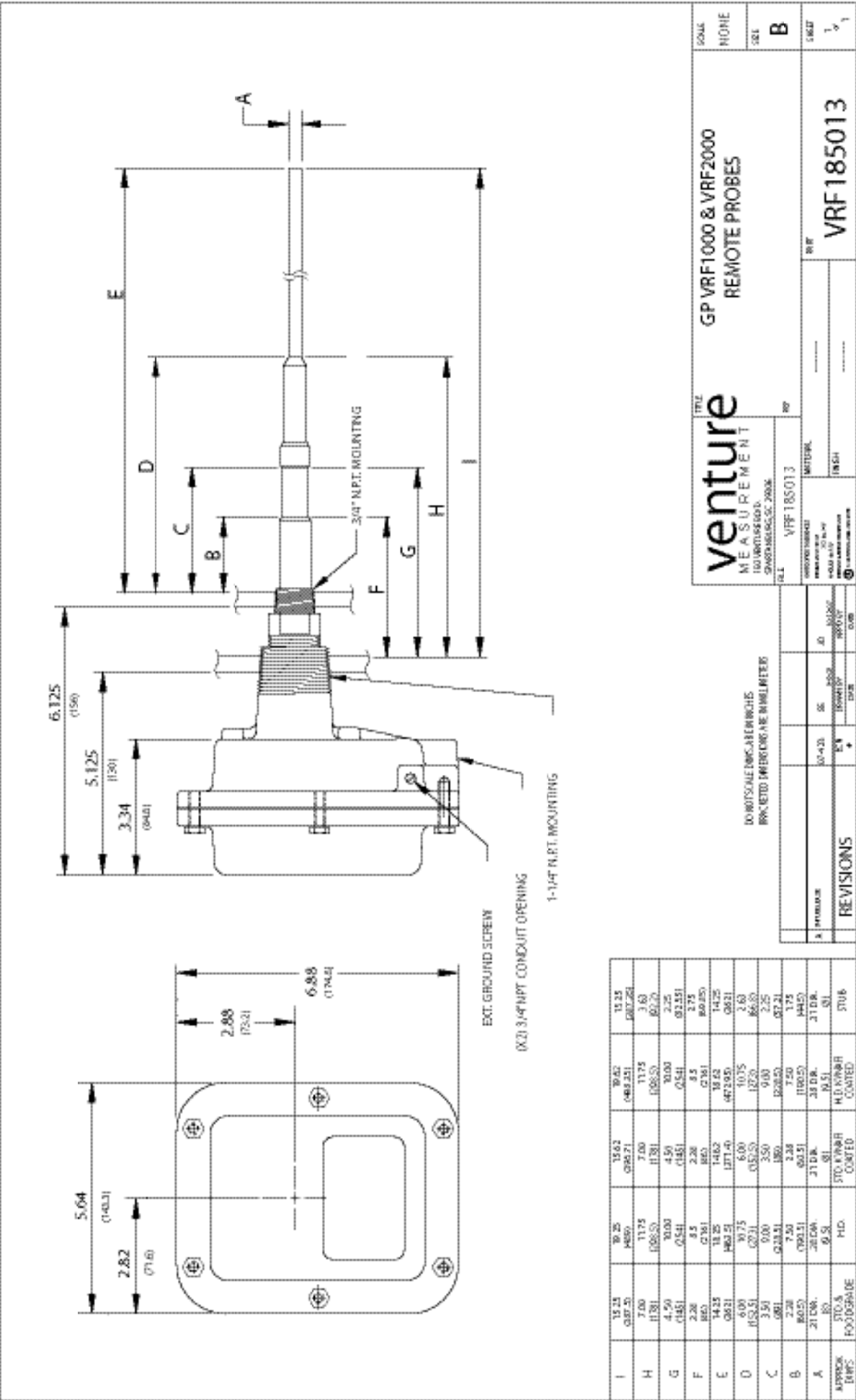
venture
MEASUREMENT
170 VENTURE BLVD
DALLAS, TEXAS 75243

FILE: SK55003_R_+ .RPF

SCALE: NONE
SIZE: A
SHEET: -

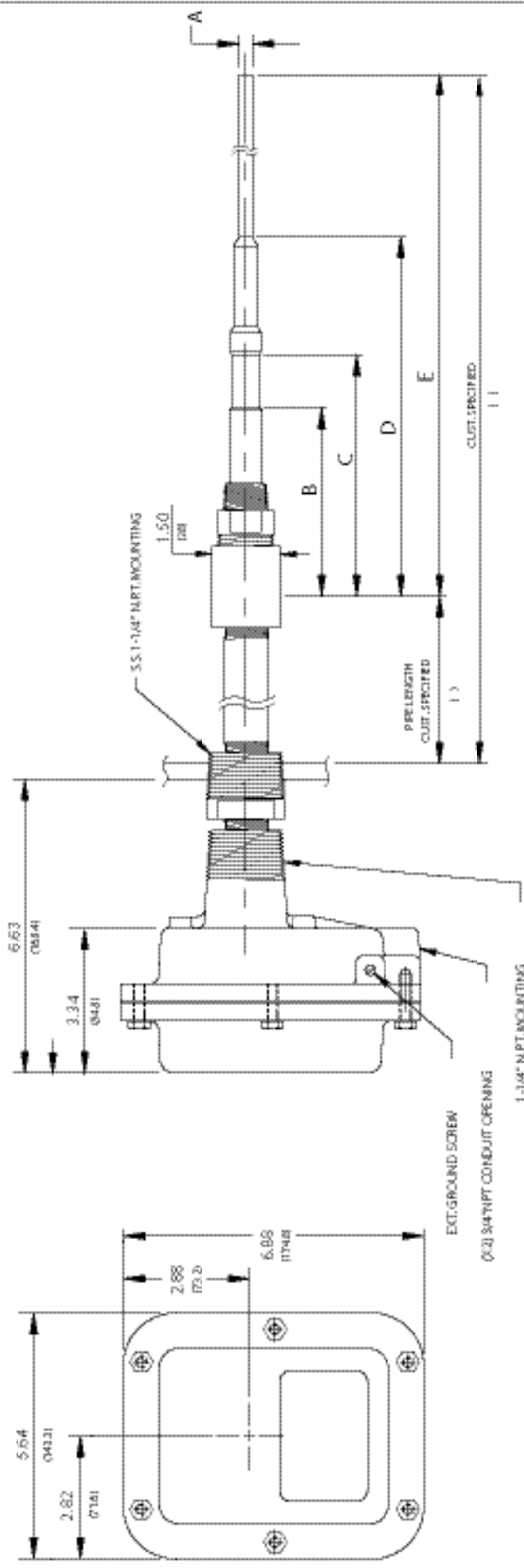
TITLE: VRF Remote Housing for VRF1000 & VRF2000 (DIMENSIONAL OUTLINE DRAWINGS)

PROJECT: SK55003



REVISIONS		REV. NO.	DESCRIPTION	DATE
A	REVISED	07-400	06	06.00
				06.00

TYPE "B" MOUNTING



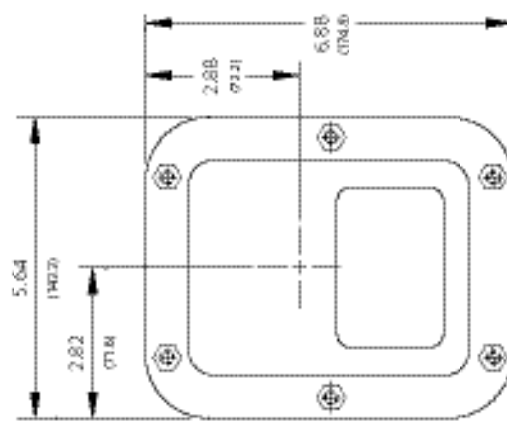
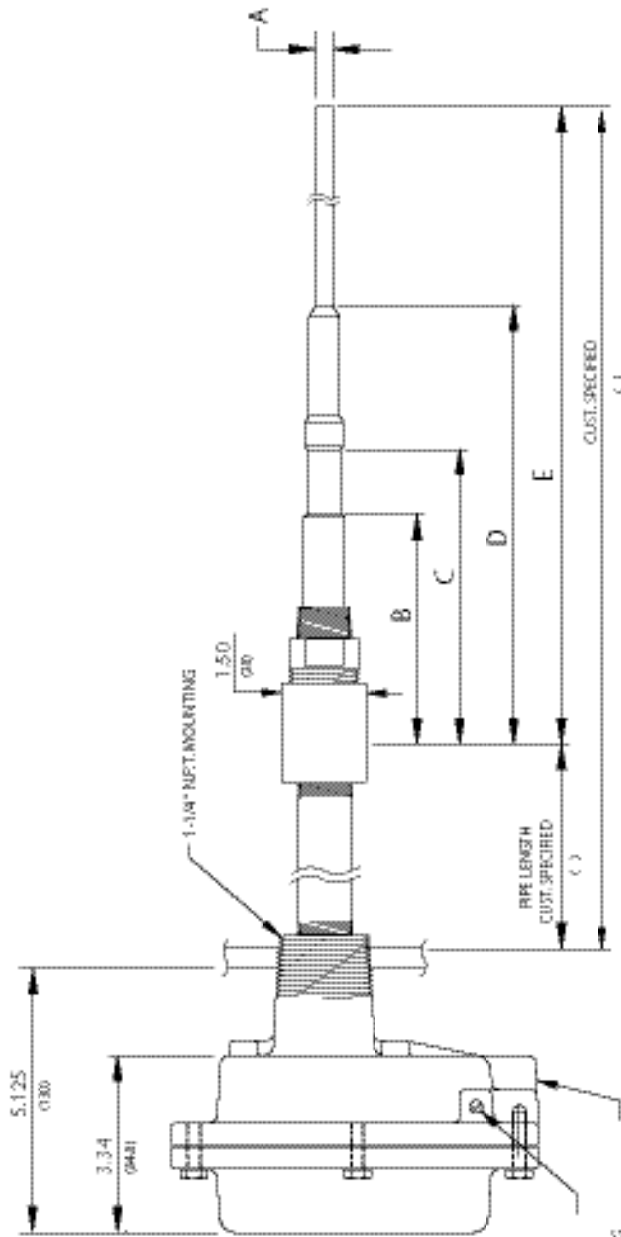
		VRF1000 & VRF2000 REMOTE PROBE EXT. G/P TYPE "B" MOUNTING	
TITLE MEASUREMENT		PART VRF185014	
MODEL NUMBER VRF185014		MATERIAL FRESH	
DRAWN BY (blank)		CHECKED BY (blank)	
DATE (blank)		SHEET 1 of 1	

APPROX DIMS	STD. A	STD. B	STD. C	STD. D	STD. E	STD. F	STD. G	STD. H	STD. I	STD. J	STD. K	STD. L	STD. M	STD. N	STD. O	STD. P	STD. Q	STD. R	STD. S	STD. T	STD. U	STD. V	STD. W	STD. X	STD. Y	STD. Z
E	1650	2050	2650	3650	4650	5650	6650	7650	8650	9650	10650	11650	12650	13650	14650	15650	16650	17650	18650	19650	20650	21650	22650	23650	24650	25650
D	450	550	650	750	850	950	1050	1150	1250	1350	1450	1550	1650	1750	1850	1950	2050	2150	2250	2350	2450	2550	2650	2750	2850	2950
C	1400	1500	1600	1700	1800	1900	2000	2100	2200	2300	2400	2500	2600	2700	2800	2900	3000	3100	3200	3300	3400	3500	3600	3700	3800	3900
B	475	575	675	775	875	975	1075	1175	1275	1375	1475	1575	1675	1775	1875	1975	2075	2175	2275	2375	2475	2575	2675	2775	2875	2975
A	31.50	33.00	34.50	36.00	37.50	39.00	40.50	42.00	43.50	45.00	46.50	48.00	49.50	51.00	52.50	54.00	55.50	57.00	58.50	60.00	61.50	63.00	64.50	66.00	67.50	69.00

DOWNSCALE DIMENSIONS ARE INDICATED
 IN PARENTHESES

REVISIONS		DATE	DESCRIPTION	BY	CHKD
A	REVISED	07-03	SI	WSP	10/04/00

TYPE "C" MOUNTING



EXT. GROUND SCREW
#21 3/4" NPT CONDUIT OPENING

APPROX DIMS	STD. R. ROD/DIALE	HCI	STD. R. COATED	H.D. INVAR COATED	STUB
E	16.50 (419)	20.50 (521)	36.88 (938)	30.28 (769)	36.50 (927)
D	8.50 (216)	13.25 (337)	4.50 (114)	13.25 (337)	5.13 (130)
C	5.66 (144)	11.50 (293)	3.58 (91)	11.50 (293)	4.85 (123)
B	4.25 (108)	8.50 (216)	4.75 (121)	10.00 (254)	4.13 (105)
A	31 DIA. (81)	31 DIA. (79)	31 DIA. (79)	38 DIA. (96)	31 DIA. (79)

venture
MEASUREMENT
SERVICES INC. 2000
180 W. 10TH ST. SUITE 200
DENVER, CO 80202
TEL: 303.733.8888
FAX: 303.733.8888

DATE: VRF1000 & VRF2000
PART: REMOTE PROBE EXT. G/P
TYPE "C" MOUNTING

REV: B

QUANTITY: 1

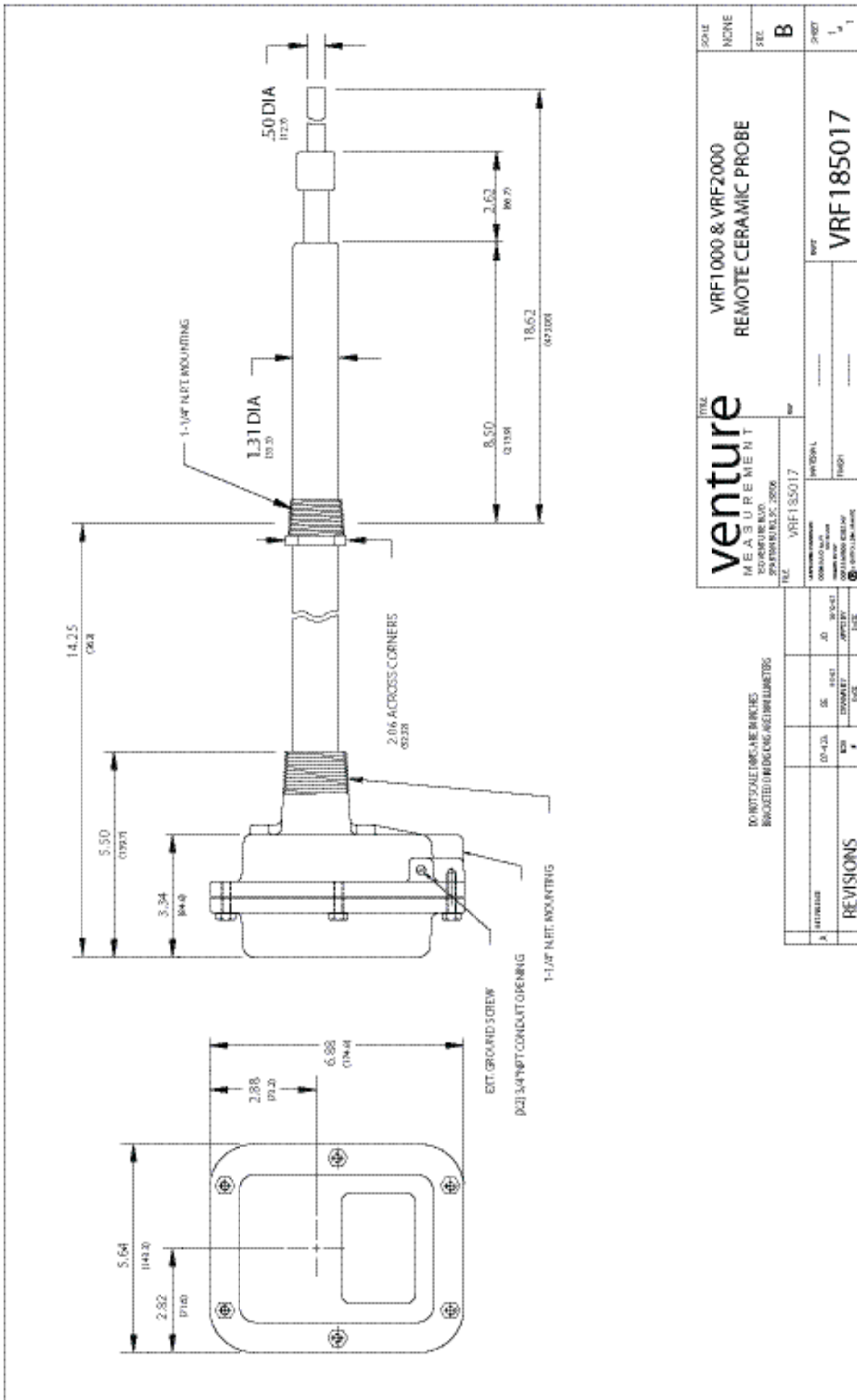
DESCRIPTION: VRF1000 & VRF2000
REMOTE PROBE EXT. G/P
TYPE "C" MOUNTING

DATE: 07-03

BY: WSP

CHKD: 10/04/00

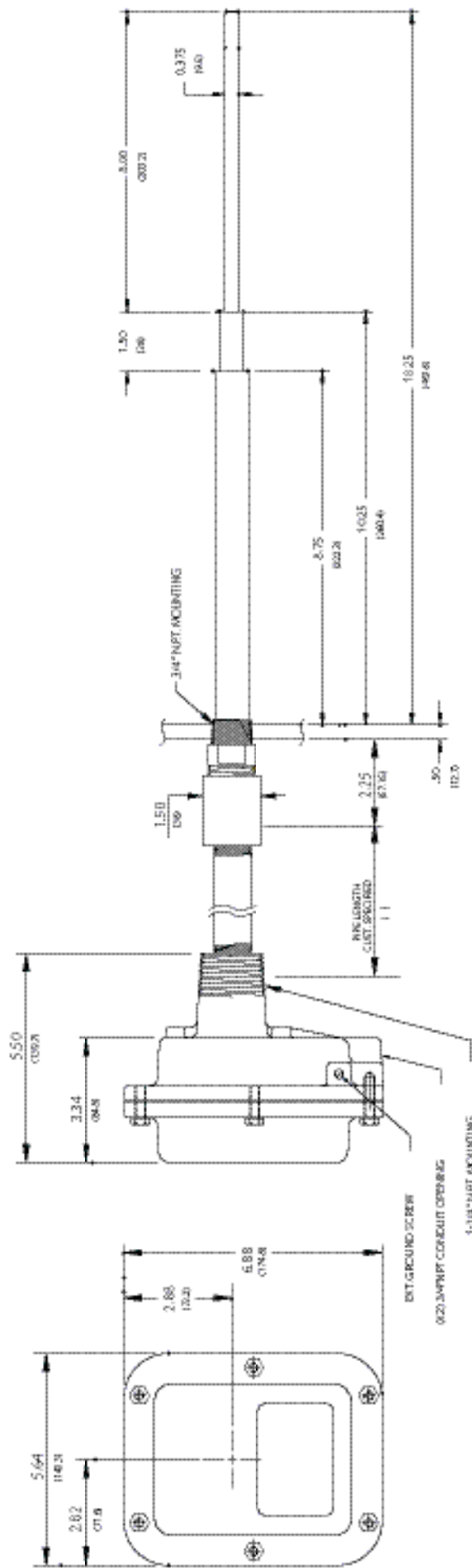
SCALE: DIMENSIONS IN INCHES.
DIMENSIONS IN MILLIMETERS.



venture M E A S U R E M E N T <small>200 WILSON BLVD. SPRINGFIELD, IL 62706</small>		VRF185017 <small>DATE: _____</small>	
VRF1000 & VRF2000 REMOTE CERAMIC PROBE		VRF185017	
<small>SCALE</small> NONE	<small>REV</small> B	<small>DATE</small> 1, 1	<small>REV</small> VRF185017
<small>APPROVED FOR RELEASE</small> <small>DATE: _____</small>		<small>APPROVED FOR RELEASE</small> <small>DATE: _____</small>	
<small>DESIGNED BY</small> _____		<small>DESIGNED BY</small> _____	
<small>CHECKED BY</small> _____		<small>CHECKED BY</small> _____	

NO.	DATE	BY	REVISION
1	01-13-03	SS	ISSUE
2	01-13-03	SS	ISSUE

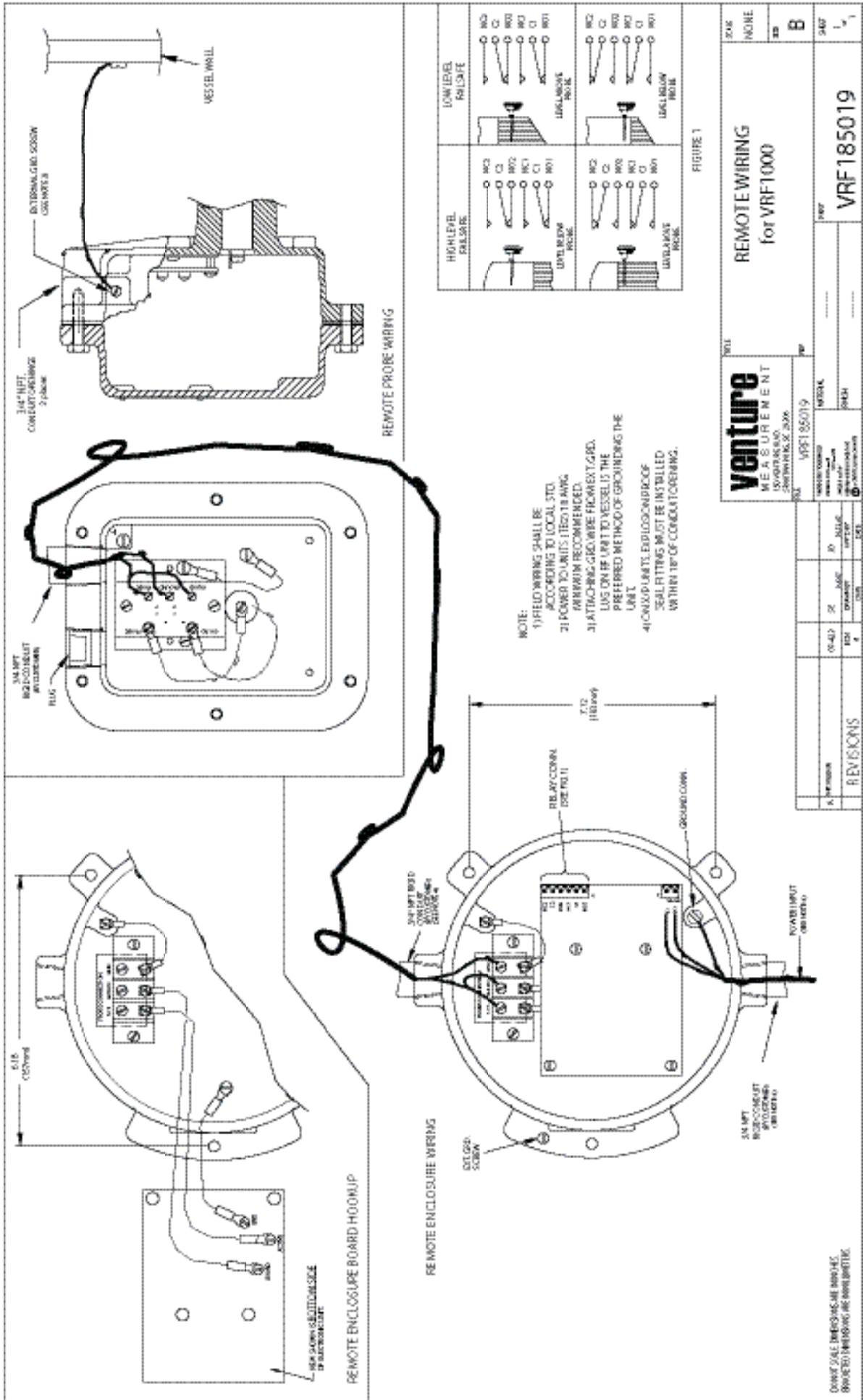
REVISIONS



venture MEASUREMENT <small>15100 VENTURE DRIVE STANLEY, MISSOURI 64304</small>		TITLE VRF18501B		SCALE 1" = 1"	
DESCRIPTION VRF1000 & VRF2000 REMOTE MINI CERAMIC PROBE		PART NO. VRF18501B		QUANTITY B	
MATERIAL STAINLESS STEEL		FINISH POLISHED		DATE 3/4/07	
REVISIONS		DRAWN DAVE		CHECKED DAVE	

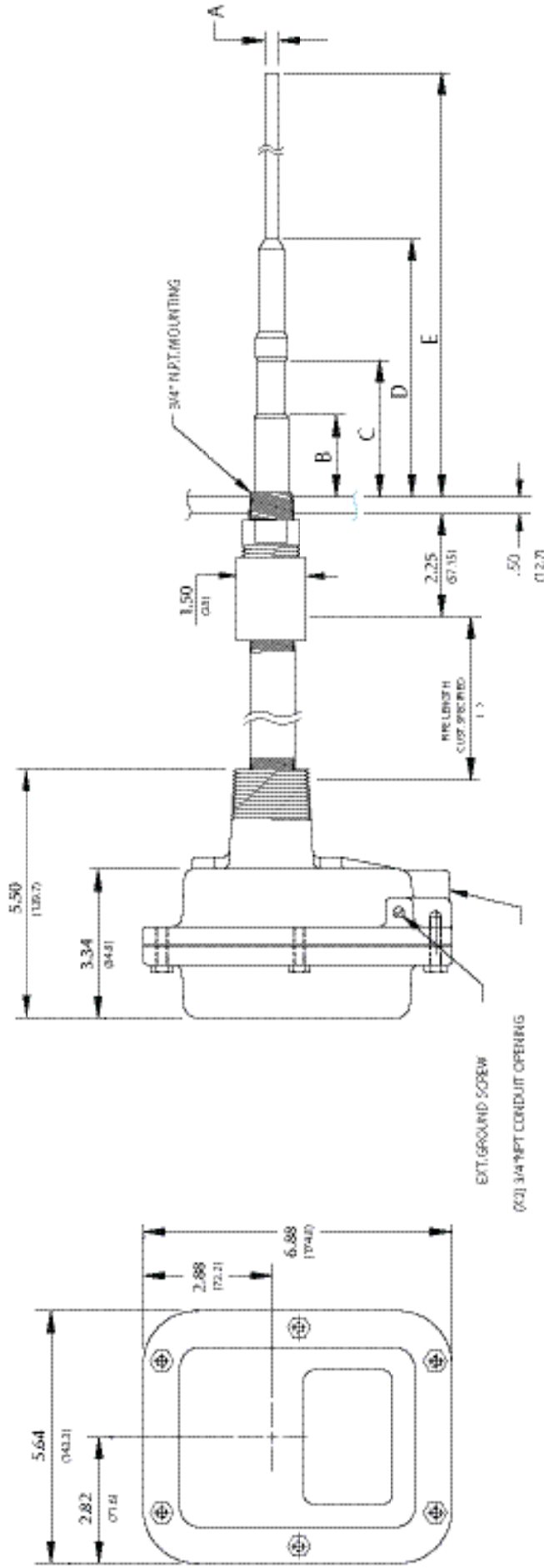
CONTOURING AIRBORNS
 BACKED OFF CERAMIC PROBE

REV	DATE	BY	CHKD
1	05-10-07	DAVE	DAVE
2	05-13-08	DAVE	DAVE
3	05-13-08	DAVE	DAVE



REVISIONS		REV #	DESCRIPTION	DATE	APPROV	DATE
A	REVISED	07-07	DC	9-00	JD	01/07

TYPE "D" MOUNTING



EXT. GROUND SCREW
(2) 3/4" NPT CONDUIT OPENING

APPROX DIM'S	STD. & FOCUSGRADE	H.D.	STD. RYMAR COATED	H.D. RYMAR COATED	STUB
E	14.25 (362)	18.25 (463.5)	14.63 (371.6)	18.69 (473.2)	14.25 (362)
D	6.00 (152.5)	10.75 (273)	6.00 (152.5)	10.75 (273)	2.63 (66.6)
C	3.5 (89)	0.00 (0)	3.5 (89)	0.00 (0)	2.25 (57.2)
B	2.38 (60.5)	7.50 (190.5)	2.38 (60.5)	7.50 (190.5)	1.75 (44.5)
A	.31 DIA. (8)	.38 DIA. (9.5)	.31 DIA. (8)	.38 DIA. (9.5)	.31 DIA. (8)



VRF 1000 & VRF 2000
Remote Probe Legged
TYPE "D" MOUNTING
G/P & X/P

FILE	VRF185021	REV	1
DATE	07/07	BY	JD
DESCRIPTION	VRF185021		
SCALE	1" = 1"		
TITLE	VRF185021		

DO NOT SCALE DIMENSIONS
DIMENSIONS ARE IN INCHES



150 VENTURE BOULEVARD
SPARTANBURG, SC 29306
PHONE: 864.574.8060, FAX: 864.574.8063
CUSTOMER CARE: 800.778.9242
WWW.BINDICATOR.COM
SALES@BINDICATOR.COM

venture
MEASUREMENT

2007 ALL RIGHTS RESERVED
ALL DATA SUBJECT TO CHANGE

VRF180002 REV. F 02/10