



VRF180001 Rev. F

VRF-2000 Series
of Variable Radio Frequency
Point Level Sensors
Integral Electronics with Opti-Sense™



**INSTALLATION,
OPERATION &
MAINTENANCE MANUAL**

SAFETY INFORMATION

Before installing the VRF-2000 model, please read these instructions and familiarize yourself with the requirements and functions. If any questions or problems arise during the installation, please contact Bindicator® Applications at 1-800-778-9242.

The VRF-2000 model must only be installed and operated as described in this operating instruction. Please note that other action can cause damage for which Bindicator® does not take responsibility. If the model is not installed correctly or used in approved applications, dangers may arise such as product overflow.

Ensure that all personnel installing, wiring, and calibrating this device are suitably qualified.

Observe all local and national electrical codes for the wiring of this device.

TABLE OF CONTENTS

1.0	Product Description	Page
1.1	Function	1
1.2	Applications	1
1.3	Model Code Identification	1
1.4	Technical Specifications/Approvals	2
1.5	Dimensions	2
2.0	Handling and Storage	
2.1	Inspection and Handling	2
2.2	Storage	2
3.0	Mechanical Installation	
3.1	Guidelines	3
3.2	Mounting	3
4.0	Electrical Wiring	
4.1	Guidelines	3
4.2	Connection Information/Wiring Diagram	3
5.0	Set-up & Calibration	
5.1	Operation	5
5.2	Settings and Adjustments	5
6.0	Start-up & Operation	6
7.0	Maintenance / Parts List	6
8.0	Trouble Shooting	6
9.0	Appendix	7

1.0 PRODUCT DESCRIPTION

1.1 Function

The VRF-2000 is a line powered (AC or DC) material level sensor that outputs a DPDT relay contact. The electronics and probe are integral. It is a "point level" sensor used to detect the presence or absence of material at a point inside a tank, bin, or other vessel. Material coming in contact with the unit's probe causes its output relay to change state, thereby indicating to the user material presence.

Operation of the VRF-2000 is based upon Bindicator's Opti-Sense™ technology using Variable Radio Frequency (VRF™) which automatically selects the optimal operating frequency (20 KHz to 100 KHz) of the low voltage signal applied to the probe depending on the probe circuit impedance.

A dual core microprocessor scans the probe circuit and digitally analyzes voltage and current values to characterize the complex impedance seen by the probe. The digital signal processor continuously analyzes the conductance and susceptance of the probe circuit and calculates when to alarm the unit.

1.2 Applications

- Point level detection of granulars, powders, liquids, and slurries.
- Measurement of materials with a dielectric constant as low as 1.2.

1.3 Model Code Identification

VRF2-

Assembly Configuration

- A = ¾" S.S. & 1¼" Aluminum & Flush Probes
- B = Pipe Ext. Probe, S.S. Coupling & Connection
- C = Pipe Ext. Probe, Plated Coupling & Aluminum Connection
- S = Sanitary Connection 1" or 1½" Tri-clamp Size (See Note 1)
- H = ¾" Hastelloy C (For Teflon® Probes Only)

Electronics Version

- 1 = Standard

Enclosure Type

- G = General Purpose NEMA 4X
- S = Stainless Steel Type 304 NEMA 4X

Probe Type

- 0 = Standard Ryton®
- 1 = Standard Kynar® Coated (Max. Length 60" or 1524mm)
- 2 = Food Grade Polysulfone
- 4 = Stub Polysulfone
- 5 = Heavy Duty Ryton®
- 6 = Heavy Duty Kynar® Coated
- 7 = Dome Flush (Use "A" Configuration Only) (Specify Thickness - See Note 2)
- 8 = Flush (Use "A" Configuration Only)
- A = Armored Food Grade (Use "A" Configuration Only)
- J = Jumbo (Use "A" Configuration Only) (Enclosure Type G or D Only)
- T = Teflon® Jacketed Standard
- U = Teflon® Jacketed Heavy Duty

Voltage

- A = AC 85-265 VAC
- D = DC 9-36 VDC

VRF2000 Series

Note 1: For 3A Sanitary Certification add "3A" at end of the model code. Configuration "S" must be used and either "Type 2" Food Grade probe or "Type 4" Stub probe.

Note 2: Thickness of probe must be specified: ⅜", ½", ⅝" or ¾" wall thickness.

1.4 Technical Specifications/Approvals

Electronics

Line Voltage:	AC Models 85 VAC to 265 VAC ; DC Models 9 VDC to 36 VDC
Power Consumption:	5.5 watts
Output Relay:	2 form C (DPDT) 6 amps @ 240 VAC, 6 amps @ 30 VDC, Minimum load 12V/100ma
Temperature Range:	-40° F to 158° F (-40° C to 70° C)
Sensitivity Settings:	See Section 5.2
Selectable Time Delay:	See Section 5.2

Probes

Standard Duty:	316 S.S. and Ryton®, 150 PSI (10.5 kgs/cm ²), -100° F to +450° F (-73° C to +232° C)
Standard Kynar® Coated:	316 S.S. and Ryton® coated with Kynar®, 50 PSI, (3.5 kgs/cm ²), -100° F to 250° F (-73° C to +121° C)
Food Grade:	316 S.S. and Polysulfone, 150 PSI (10.5 kgs/cm ²), -30° F to +300° F (-34° C to +149° C)
Stub:	316 S.S. and Polysulfone, 150 PSI (10.5 kgs/cm ²), -30° F to +300° F (-34° C to +149° C)
Heavy Duty:	316 S.S. and Ryton®, 150 PSI (10.5 kgs/cm ²), -100° F to +450° F (-73° C to +232° C)
Heavy Duty Kynar® Coated:	316 S.S. and Ryton® coated with Kynar®, 50 PSI, (3.5 kgs/cm ²), -100° F to 250° F (-73° C to +121° C)
Flush & Dome Flush:	316 S.S. and Epoxy 50 PSI (3.5 kgs/cm ²), -30° F to +200° F (-34° C to +93° C)
Armored Food Grade:	316 S.S. and Food Grade Epoxy, 150 PSI, -30° F to +230° F (-34° C to +110° C)
Jumbo:	316 S.S. and Epoxy, 50 PSI, (3.5 kgs/cm ²),), -30° F to +200° F (-34° C to +93° C)
Teflon® Jacketed:	316 S.S. and FEP Teflon® 50 PSI, (3.5 kgs/cm ²), -30° F to +250° F (-34° C to +121° C)
Teflon® Jacketed Heavy Duty:	316 S.S. and FEP Teflon® 50 PSI, (3.5 kgs/cm ²), -30° F to +250° F (-34° C to +121° C)
Fly Ash Probe:	316 S.S. and Ryton® coated with Kynar®, 50 PSI, (3.5 kgs/cm ²), -100° F to 250° F (-73° C to +121° C)

1.5 Dimensions

See section 9.0 for appropriate model drawing and applicable housing and probe dimensions.

2.0 HANDLING AND STORAGE

2.1 Inspection and Handling

The VRF-2000 is individually packed to provide adequate protection during shipping and has been tested and calibrated at the factory. When the unit is received it should be inspected for damage that may have occurred due to mishandling during shipping. If the unit is received damaged, do not dispose of the carton or packing material, and notify the shipping carrier immediately. If you have any problems or questions consult Bindicator® Customer Care at 1-800-778-9242.

2.2 Storage

After receiving the VRF-2000, care should be taken to avoid damage. If the unit is not scheduled to be installed soon after delivery, the following steps should be taken:

1. After inspection, repackage the unit into its original packaging.
2. Select a clean dry site free of vibration, shock, and impact hazards.

If the VRF™ point level unit will be in storage for more than 30 days, it must be stored in a non-condensing atmosphere less than 100% relative humidity. DO NOT STORE THE UNPOWERED UNIT OUTDOORS FOR A PROLONGED PERIOD.

3.0 MECHANICAL INSTALLATION

3.1 Guidelines

The probe can be mounted on the side of the vessel horizontally, or on the top of the vessel vertically. The probe should be located out of the direct flow of material into the vessel.

3.2 Mounting

Consult the applicable dimensional drawing in section 9.0 for mounting information on your model.

4.0 ELECTRICAL WIRING

4.1 Guidelines

The VRF™ unit is a line powered point level switch with a DPDT isolated relay contact output. Wiring will consist of:

- Grounding
- Input supply line power
- Output relay contacts for signal/control

Conduit-Cable Connection

Two threaded 3/4" NPT female conduit openings are provided in the housing for input and output wiring. When only one conduit opening is used for installation, the unused opening must be sealed with a suitable Type 4X/IP66 3/4" - 14 NPT plug with pipe sealant in order to maintain approval requirements.

Input Power

The VRF™ unit is either an AC or DC input model. Consult section 1.3 model codes, and the nameplate of the unit to determine the proper power supply.

Connection Information

See Figures 1 and 2 in section 4.2 for location of input and output wiring.

IMPORTANT! Either AC or DC power is to be connected to the power input depending on the model. Consult the nameplate of the unit and section 1.3 to determine what type of power is required. Consult section 1.4 for the allowable voltage ranges.

4.2 Connection Information/Wiring Diagram

See Figure 1 for location of input and output terminal blocks. Agency approved insulated barrel type terminals are supplied in the input terminal block to provide additional safety. These terminals must be used in order to maintain approval requirements. See Figure 2 for output contact positions during stages of operation.

IMPORTANT! An electrical earth ground connection must be made to the housing input ground screw. See Figure 1 for location. This connection is needed for both electrical safety and proper operation of the unit. This is required for both AC and DC units.

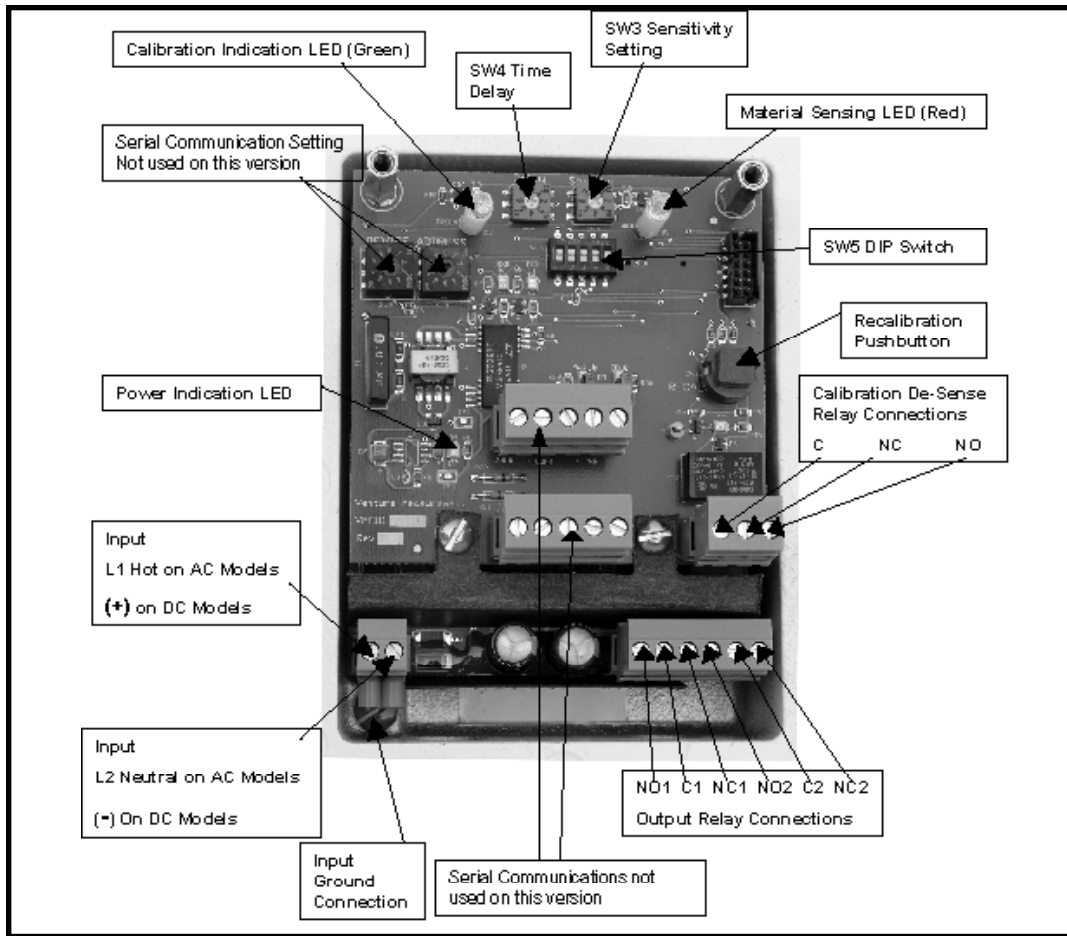


Figure 1. VRF-2000 Electronics

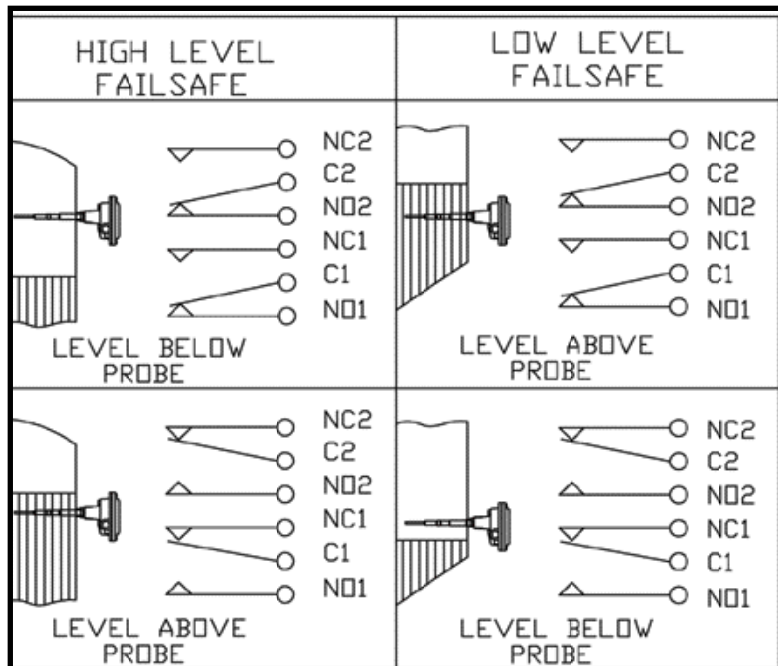


Figure 2. High/Low Level Failsafe

The output relay contacts are labeled in the un-powered alarm state. The relay is energized when the VRF-2000 is not alarmed. This status may be opposite that of other Bindicator® brand units. If the VRF-2000 is replacing an older Model RF-8000 or RF-9000 unit, connections will need to be opposite. If a connection was made to the NC1 terminal of the RF8/9000, connect now to the NO1 terminal of the VRF-2000. C1 and C2 connections remain the same.

5.0 SET-UP AND CALIBRATION

5.1 Operation

The VRF™ unit will begin operating when powered up. The sensitivity, failsafe, and time delay settings can be made without power applied. Recalibration will require that the unit be powered. Changes to the sensitivity, failsafe, and time delay do not require a recalibration.

5.2 Settings and Adjustments

Failsafe Selection

The VRF™ is shipped from the manufacturer in the high level failsafe condition. This setting is made on DIP switch SW1, position 5. See Figure 1 in section 4.2.

High Level Failsafe Operation

- DIP Switch SW5 position 1 is on.
- If the electrical power fails, the relay turns off. This indicates material as if the tank were full.
- Relay status LED is on when no material is present, and off when material is present.
- Material sensing LED is off when no material is present, and on when material is present.
- NC output contacts are open when no material is present and closed when material is present.
- NO output contacts are closed when no material is present and open when material is present.

Low Level Failsafe Operation

- DIP Switch SW5 position 1 is off.
- If the electrical power fails, the relay turns off. This indicates material as if the tank were empty.
- Relay status LED is off when no material is present, and on when material is present.
- Material sensing LED is off when no material is present, and on when material is present.
- NC output contacts are closed when no material is present and open when material is present.
- NO output contacts are open when no material is present and closed when material is present.

Sensitivity Setting

The VRF™ is shipped from the manufacturer in the 2pF setting. This setting is made on rotary switch SW3. See Figure 1 in section 4.2.

SW3 Position	Sensitivity
0	.5pF, Very High
1	1pF, High
2	2pF
3	3pF
4	5pF, Medium
5	8pF
6	10pF, Low
7	15pF, Very Low

Time Delay Setting

The VRF™ is shipped from the manufacturer in the minimum time delay setting. This setting is made on DIP switch SW5 positions 2 and 3 to set the mode of delay, and on rotary switch SW4 to set the amount of delay. This setting will delay the time between when the VRF™ unit senses material and the output relay changes state. The delay is only in this direction, regardless of failsafe setting. There will be no delay when the material leaves the probe. See Figure 1 in section 4.2.

SW4 Position	Time Delay
0	200 mSec
1	1 Sec
2	2 Sec
3	5 Sec
4	10 Sec
5	20 Sec
6	30 Sec
7	60 Sec

SW5 Position 2	Time Delay Mode
On	The delay set on SW4 is applied when material touches the probe
Off	There is no delay when material touches probe
SW5 Position 3	Time Delay Mode
On	The delay set on SW4 is applied when material leaves the probe
Off	There is no delay when material leaves probe

Enable Automatic Calibration Feature

The VRF-2000 features EZ-CAL[®] II. This feature consists of three parts. First, is an automatic calibration when the unit is first powered up. This should be done when no material is present at the probe. Second, is an automatic recalibration if the VRF[™] electronics senses that the capacitance of the probe circuit has decreased significantly from what it was when it was last calibrated. Third, is the ability to manually recalibrate by momentarily pushing the recalibration pushbutton. See Figure 1 in section 4.2. The VRF-2000 is shipped from the manufacturer with the automatic calibration/recalibration feature enabled. If only manual pushbutton calibration/recalibration is desired, set SW5 DIP switch position 4 to off.

Note: SW5 DIP switch position 5 is not used on this version.

6.0 START-UP AND OPERATION

The VRF-2000 will automatically begin operation when powered up. It should be initially powered after it is installed in the application and with material below the probe. When initially powered up, the VRF-2000 will automatically begin a 3 second calibration operation. The unit will then operate according to the settings made which are described in section 5.2.

If the unit is powered on the bench prior to installation, or moved from one installation to another, recalibration is required. Momentarily press the recalibration pushbutton. See Figure 1 in section 4.2 for location. The green calibration indication LED will go off, and after 3 seconds illuminate to indicate calibration is complete.

7.0 MAINTENANCE AND PARTS LIST

If it should become necessary to replace any parts on the VRF-2000 unit, please contact Bindicator[®] Customer Care Department at 1-800-778-9242. You will need the model number and date code from the nameplate located on the cover of the unit. An engineer will assist you with identifying what replacement parts are available for this model.

8.0 TROUBLE SHOOTING

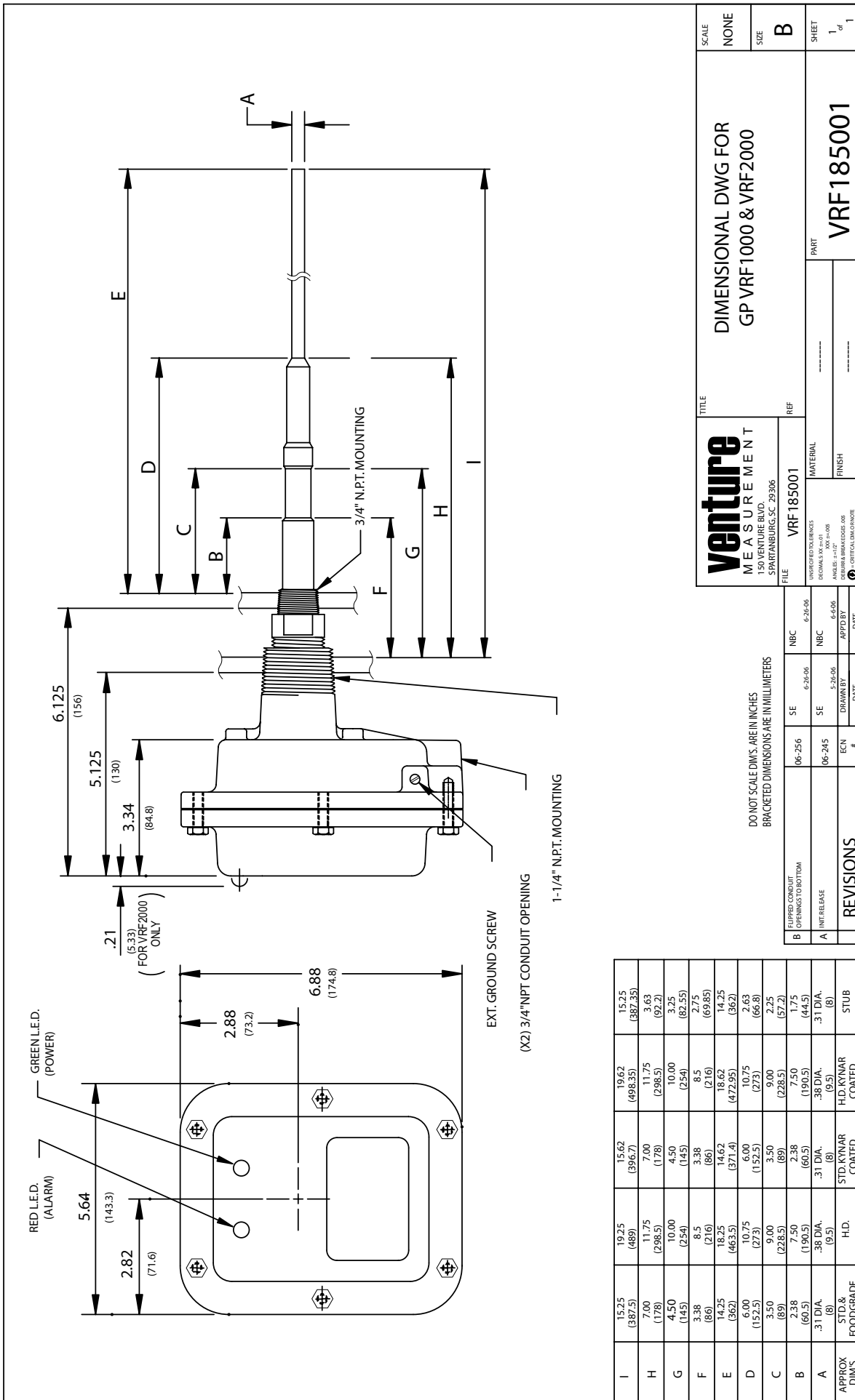
If problems are experienced with the VRF-2000 unit, check the following:

- Check for proper input voltage. If correct, the "Power Indication LED" should be illuminated. See Figure 1 in section 4.2 for location.
- Check that a good electrical earth ground is terminated to the "Input Ground Connection" screw on the housing of the unit.
- Recalibrate the unit as described in section 6.0.

Please contact Bindicator[®] Customer Care Department at 1-800-778-9242 for further assistance.

9.0 APPENDIX

Drawing Description	Drawing Number	Rev.	Page
DIMENSIONAL DRAWING FOR GP VRF2000	VRF185001	B	8
DIMENSIONAL DRAWING FOR DOME FLUSH PROBE VRF2000 GP/XP	VRF185003	B	9
OUTLINE DRAWING VRF EXTENDED, G/P TYPE "B" MOUNTING	VRF185004	A	10
OUTLINE DRAWING VRF EXTENDED, G/P TYPE "C" MOUNTING	VRF185005	A	11
DIMENSIONAL DRAWING FOR GP VRF2000 (SANITARY MOUNTING)	VRF185006	A	12
WIRING FOR VRF2000	VRF185008	A	13
DIMENSIONAL DRAWING FOR FLUSH PROBE VRF2000 GP/XP	VRF185009	A	14
DIMENSIONAL DRAWING FOR VRF2000 TEFLON® COATED	VRF185010	A	15
DIMENSIONAL DRAWING FOR VRF2000 JUMBO PROBE	VRF185011	A	16
VRF2000 EXT. TYPE "C" MOUNTING MOUNTED ON ¾" BIN CONN FOR LAGGING GP/XP	VRF185022	A	17



venture
MEASUREMENT
150 VENTURE BLVD.
SPARTANBURG, SC 29306

UNIFORM REFERENCES
DIMONAL SYSTEM
ANGLE: 1:107
WWW.ventureinc.com

FILE: VRF 185001
REF: _____
MATERIAL: _____
FINISH: _____

SCALE: NONE
SIZE: B
SHEET: 1 of 1

TITLE: DIMENSIONAL DWG FOR GP VRF1000 & VRF2000
PART: VRF185001

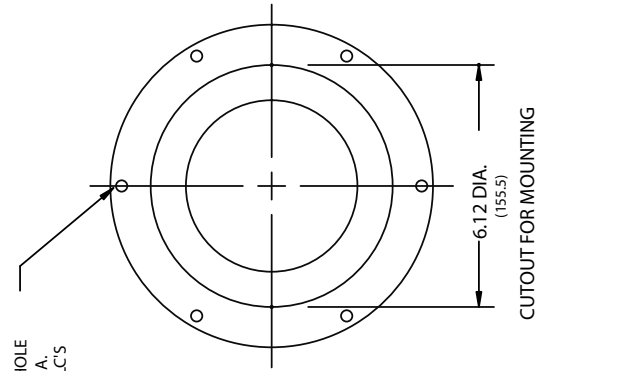
DO NOT SCALE DIMS. ARE IN INCHES
BRACKETED DIMENSIONS ARE IN MILLIMETERS

REV	DATE	BY	CHKD	APP'D
B	06-25-06	SE	NBC	
A	06-24-06	SE	NBC	

REVISIONS

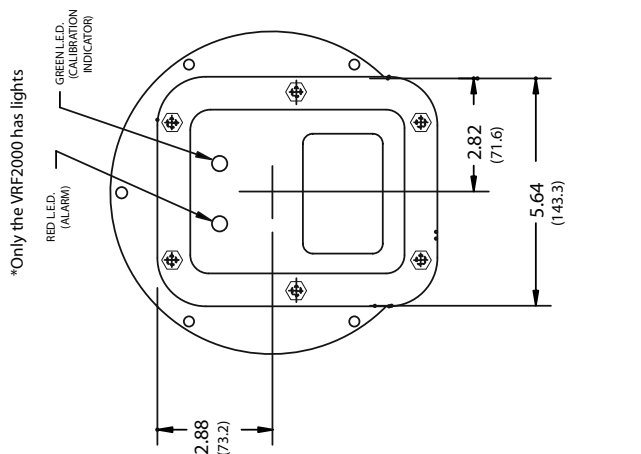
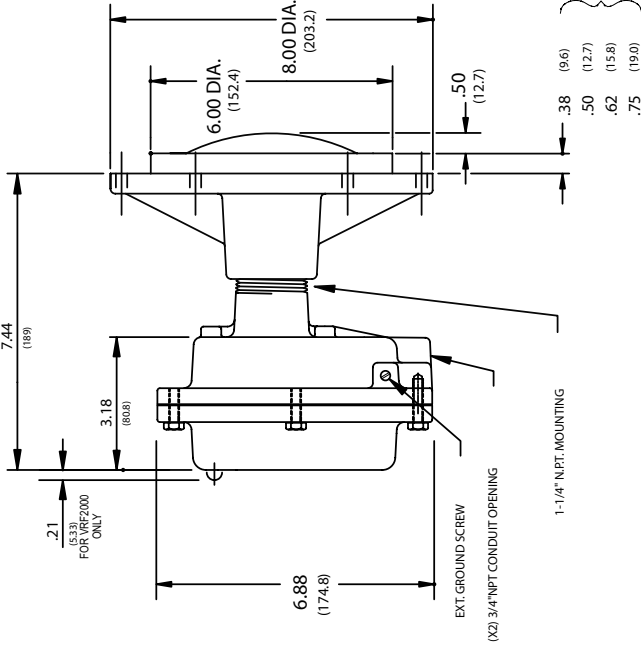
REV	DATE	BY	CHKD	APP'D
B	06-25-06	SE	NBC	
A	06-24-06	SE	NBC	

APPROX DIMS	STD. & FOODGRADE	H.D.	STD. KYNAR COATED	H.D. KYNAR COATED	STUB
I	15.25 (387.5)	19.25 (489)	15.62 (396.7)	19.62 (498.35)	15.25 (387.35)
H	7.00 (178)	11.75 (298.5)	7.00 (178)	11.75 (298.5)	3.63 (92.2)
G	4.50 (114.5)	10.00 (254)	4.50 (114.5)	10.00 (254)	3.25 (82.55)
F	3.38 (86)	8.5 (216)	3.38 (86)	8.5 (216)	2.75 (69.85)
E	14.25 (362)	18.25 (463.5)	14.62 (371.4)	18.62 (472.95)	14.25 (362)
D	6.00 (152.5)	10.75 (273)	6.00 (152.5)	10.75 (273)	2.63 (66.8)
C	3.50 (89)	9.00 (228.5)	3.50 (89)	9.00 (228.5)	2.25 (57.2)
B	2.38 (60.5)	7.50 (190.5)	2.38 (60.5)	7.50 (190.5)	1.75 (44.5)
A	.31 DIA. (8)	.38 DIA. (9.5)	.31 DIA. (8)	.38 DIA. (9.5)	.31 DIA. (8)



9/32" (7.1) DIA. HOLE ON A 7/44" BOLT DIA. (189.0) 6-PLC'S

6.12 DIA. (155.5)
CUTOUT FOR MOUNTING



*Only the VRF2000 has lights

RED LED. (ALARM)

GREEN LED. (CALIBRATION INDICATOR)

2.88 (73.2)

5.64 (143.3)

2.82 (71.6)

MOUNTING SURFACE PREPARATIONS

1. LAY OUT TWO CONCENTRIC CIRCLES ON BIN WALL AT POINT WHERE THE RE LEVEL CONTROLS IS TO BE MOUNTED. ONE CIRCLE TO BE 6-1/8" DIA., THE OTHER 7-7/16" DIA.
2. CUT OUT 6-1/8" DIA. CIRCLE.
3. LAY OUT SIX EQUALLY SPACED HOLES ON 7-7/16" DIA. CIRCLE. DRILL OR TAP FOR 1/4" BOLTS OR CAP SCREWS.

"CAUTION"

WHEN MOUNTING EXPLOSION PROOF UNITS, NEVER ADJUST THE ORIENTATION OF THE PROBE OR PROBE HOUSING BY TURNING THE HOUSING SECTION. THIS WILL BREAK INTERNAL WIRES AND PERMANENTLY DAMAGE THE PROBE.

FOR "FLUSH PROBE" UNITS, THE POSITION MUST BE ADJUSTED BY REMOVING THE MOUNTING BOLTS AND MOVING THE ENTIRE PROBE AND HOUSING.

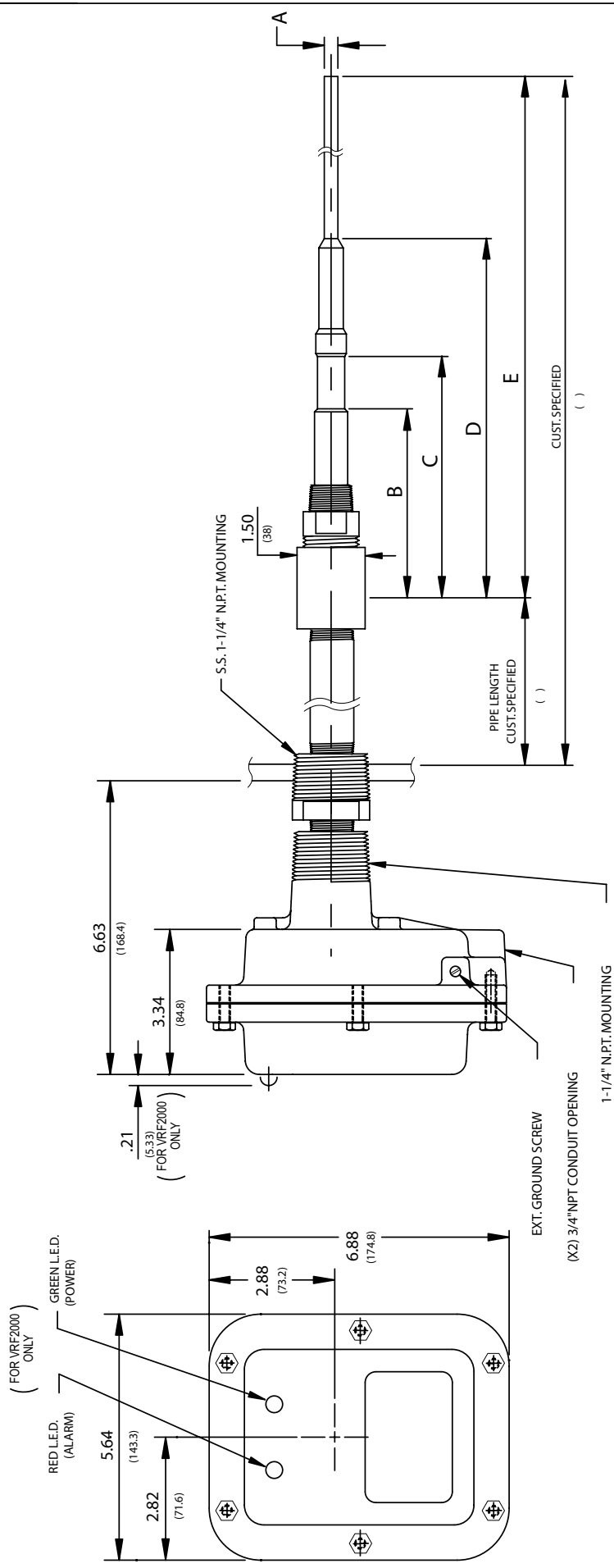
DO NOT SCALE DIMS. ARE IN INCHES
BRACKETED DIMENSIONS ARE IN MILLIMETERS

		TITLE DIMENSIONAL DWG FOR DOME FLUSH PROBE VRF1000 & VRF2000 GP/XP	
SCALE NONE		SIZE B	
FILE VRF185003		REF	
MATERIAL 150 VENTURE BLVD. SPARTANBURG, SC 29306		FINISH	
REVISIONS		PART VRF185003	
DATE		SHEET 1 of 1	

ADDED OR TO 07-423		DATE 9-5-07	
INT. RELEASE		NBC	
ECN #		APPTD BY DATE	
SE 07-042		DATE 1-26-07	

REVISIONS		ECN #	DRAWN/CHECKED BY	APPROVED BY
A	INT. RELEASE	07-049	SE	NBC
				DATE
				2-5-07

TYPE "B" MOUNTING



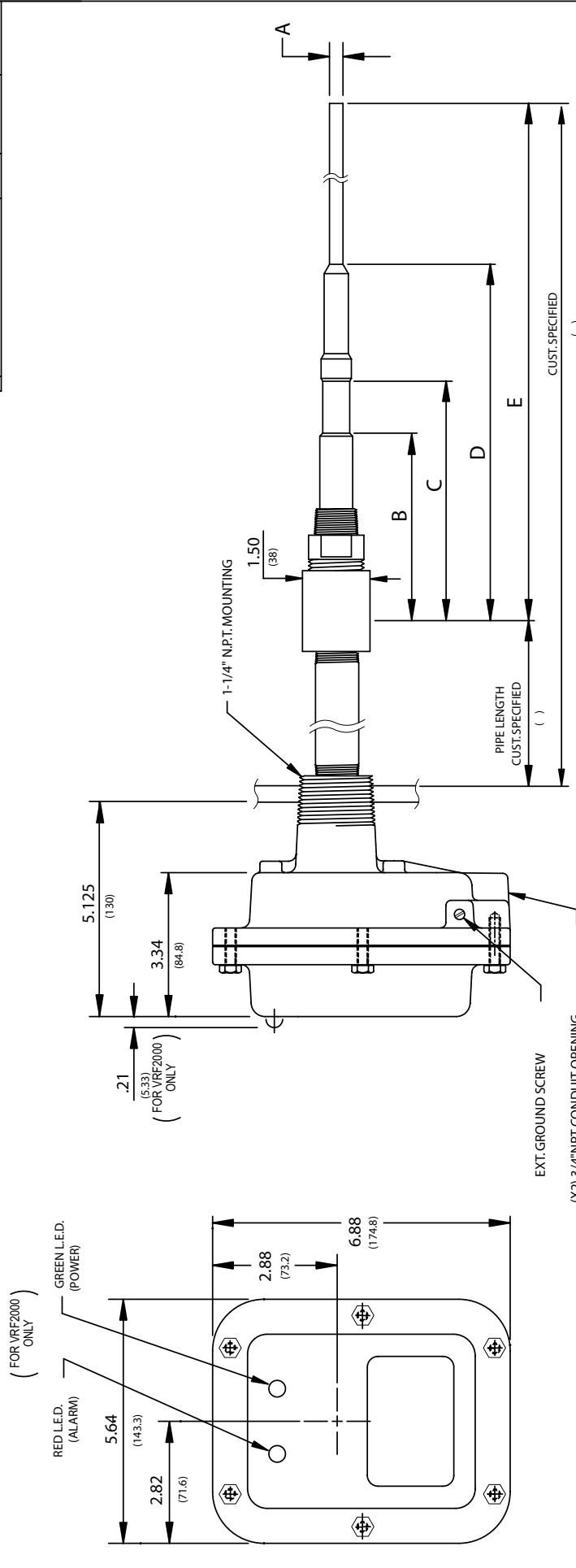
venture MEASUREMENT 150 VENTURE BLVD. SPARTANBURG, SC 29306		TITLE OUTLINE DRAWING VRF EXTENDED, G/P TYPE "B" MOUNTING	SCALE NONE
FILE VRF185004	REF VRF185004	MATERIAL FINISH	SIZE B
UNIFORM DIMENSIONS GEOMETRIC DIMENSIONS ANGLES ±10° SURFACE FINISH CRITICAL DIMENSIONS		PART VRF185004	SHEET 1 of 1

E	16.50 (419)	20.88 (530.35)	16.88 (428.75)	16.50 (419)
D	8.50 (216)	13.25 (336.5)	8.50 (216)	5.13 (130.3)
C	5.88 (149)	11.50 (292)	5.88 (149)	4.63 (117.6)
B	4.75 (121)	10.00 (254)	4.75 (121)	4.13 (105)
A	.31 DIA. (8)	.38 DIA. (9.5)	.31 DIA. (8)	.31 DIA. (8)
APPROX DIM'S	STD. & FOODGRADE	H.D.	STD. KYNAR COATED	STUB

DO NOT SCALE DIMS. ARE IN INCHES
 BRACKETED DIMENSIONS ARE IN MILLIMETERS

REVISIONS		ECN #	DRAWN/CDD BY	APP'D BY
A	INF/RELEASE	DATE	DATE	DATE
		07-049	SE	NBC
				2-5-07

TYPE "C" MOUNTING

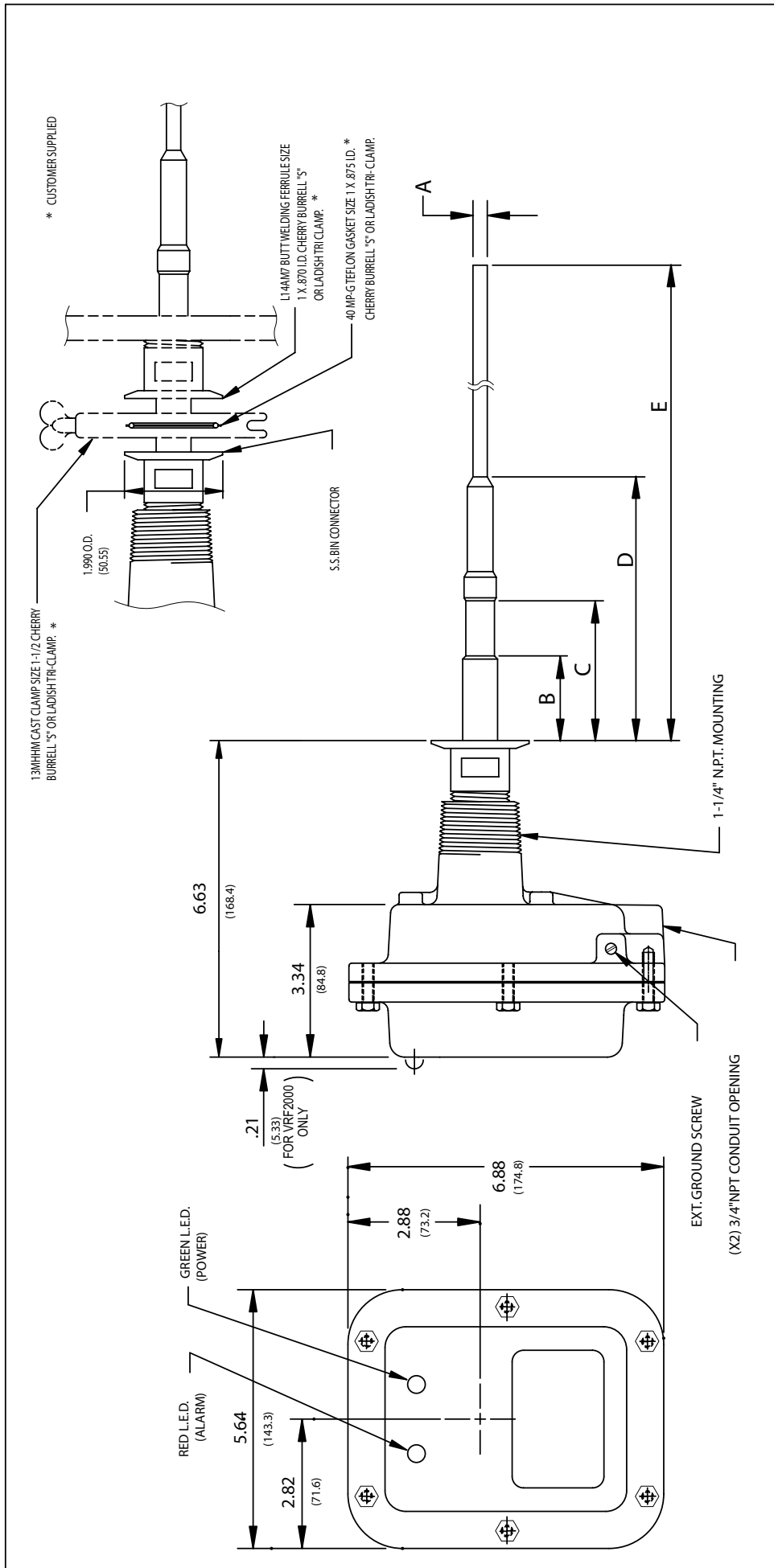


(X2) 3/4" NPT CONDUIT OPENING

APPROX DIM'S	STD. & FOODGRADE	H.D.	STD. KYNAR COATED	H.D. KYNAR COATED	STUB
E	16.50 (419)	20.50 (521)	16.88 (428.75)	20.88 (530.35)	16.50 (419)
D	8.50 (216)	13.25 (336.5)	8.50 (216)	13.25 (336.5)	5.13 (130.3)
C	5.88 (149)	11.50 (292)	5.88 (149)	11.50 (292)	4.63 (117.6)
B	4.75 (121)	10.00 (254)	4.75 (121)	10.00 (254)	4.13 (105)
A	.31 DIA. (8)	.38 DIA. (9.5)	.31 DIA. (8)	.38 DIA. (9.5)	.31 DIA. (8)

DO NOT SCALE DIM'S. ARE IN INCHES
BRACKETED DIMENSIONS ARE IN MILLIMETERS

TITLE		SCALE
venture MEASUREMENT		NONE
150 VENTURE BLVD. SPARTANBURG, SC 29306		SIZE B
FILE	VRF185005	SHEET 1 of 1
MATERIAL		
FINISH		
REF		
OUTLINE DRAWING VRF EXTENDED, G/P TYPE "C" MOUNTING		PART VRF185005



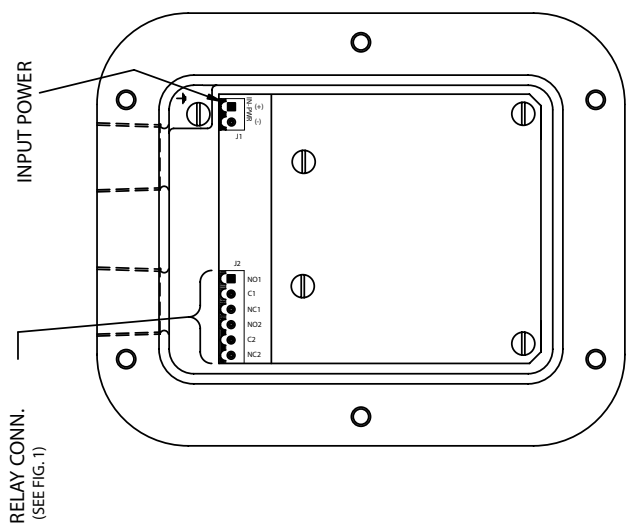
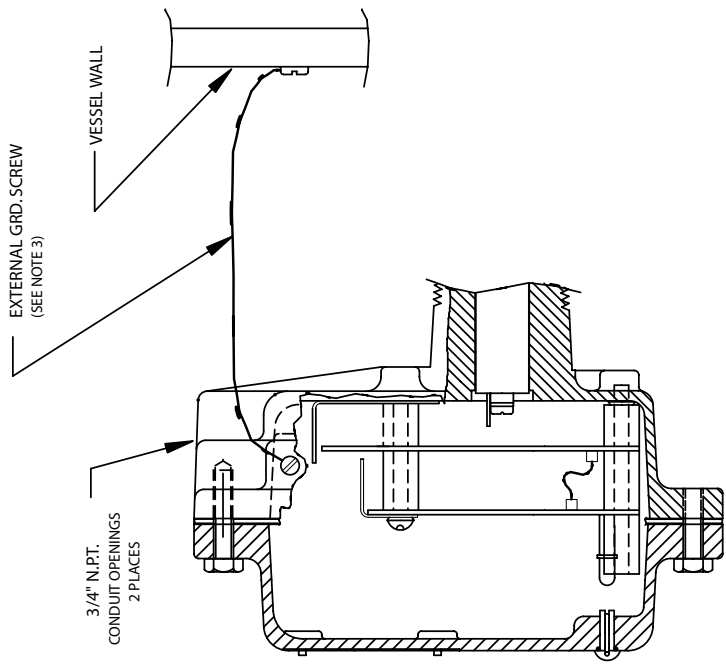
		TITLE DIMENSIONAL DWG FOR GP VRF1000 & VRF2000 (SANITARY MOUNTING)	
MEASUREMENT 150 VENTURE BLVD. SPARTANBURG, SC 29306		REF VRF185006	
UNPROCESSED TOLERANCES DIMONALS IN INCHES ANGLES 1:10" DECIMALS & BREAKED DIMS	MATERIAL FINISH	PART VRF185006	
FILE VRF185006	DATE	DATE	SHEET 1 of 1

DO NOT SCALE DIMS ARE IN INCHES
BRACKETED DIMENSIONS ARE IN MILLIMETERS

REV	DATE	BY	CHKD	DATE
A	5-23-07	JD	5-23-07	

REV	DATE	BY	CHKD	DATE
A	07-238	SE	5-23-07	

APPROX DIMS	FOODGRADE	STUB
E	14.25 (362)	14.25 (362)
D	6.00 (152.5)	2.63 (66.8)
C	3.50 (89)	2.25 (57.2)
B	2.38 (60.3)	1.75 (44.5)
A	.31 DIA. (8)	.31 DIA. (8)



- NOTE: 1) FIELD WIRING SHALL BE ACCORDING TO LOCAL STD.
 2) POWER TO UNITS (TB2) 18 AWG MINIMUM RECOMMENDED.
 3) ATTACHING GRD. WIRE FROM EXT. GRD. LUG ON RF UNIT TO VESSEL IS THE PREFERRED METHOD OF GROUNDING THE UNIT.
 4) ON X/P UNITS, EXPLOSION PROOF SEAL FITTING MUST BE INSTALLED WITHIN 18" OF CONDUIT OPENING.

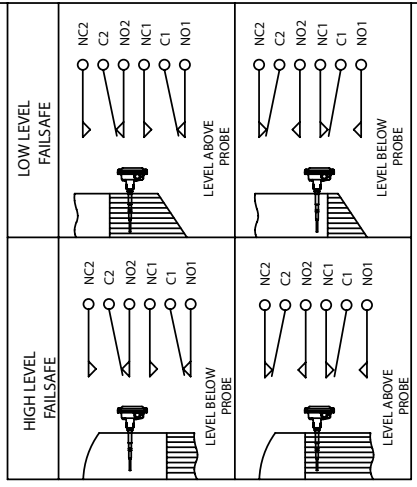
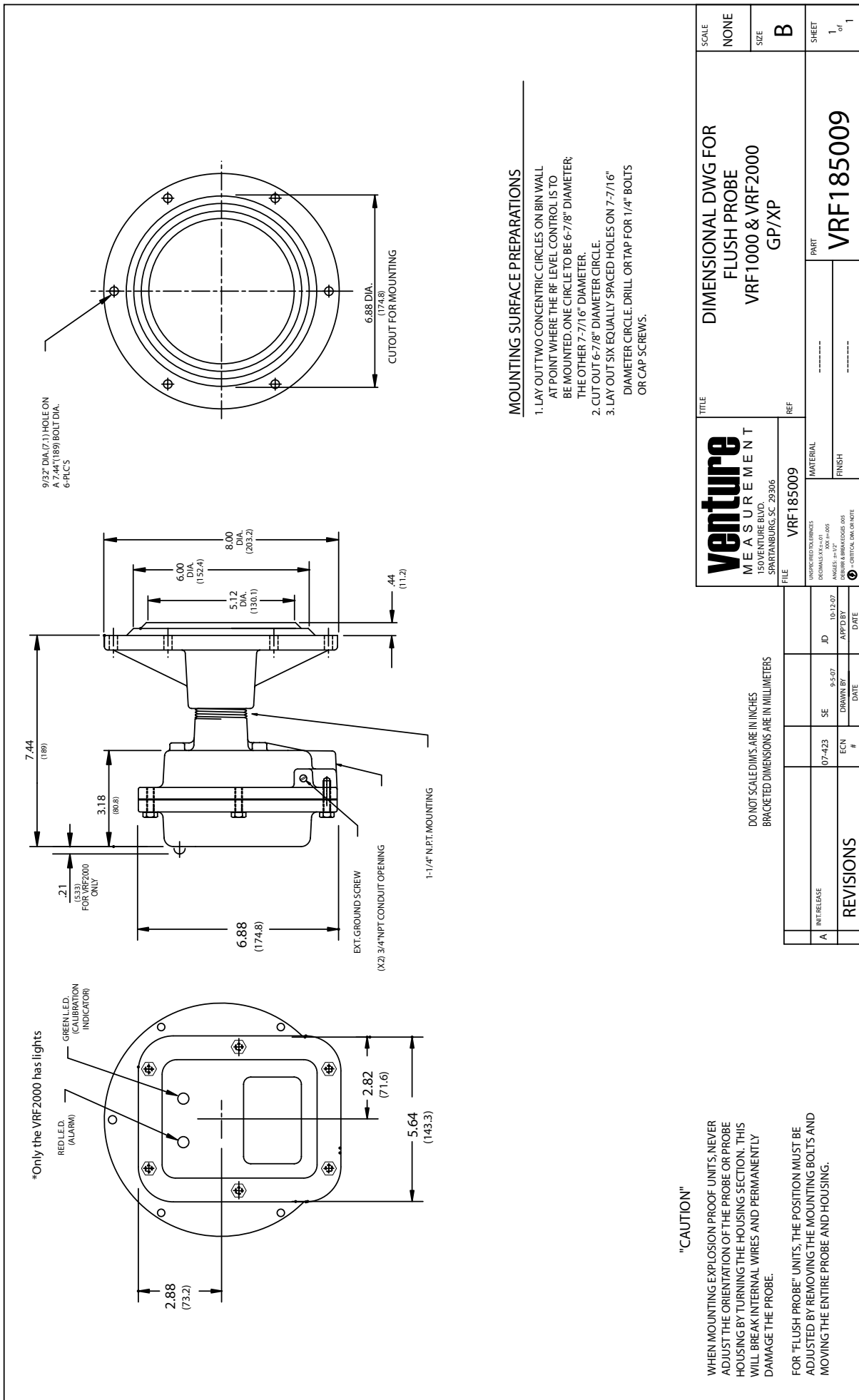
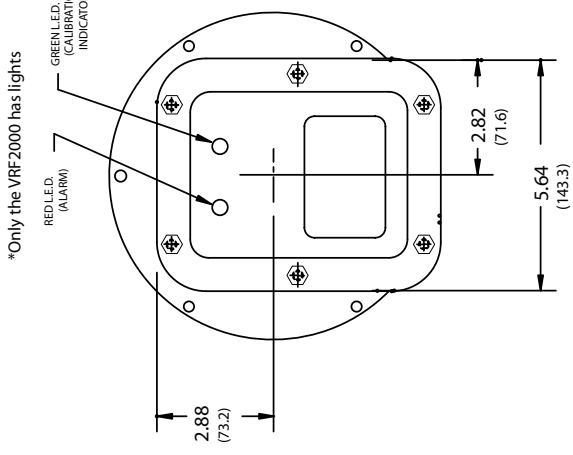
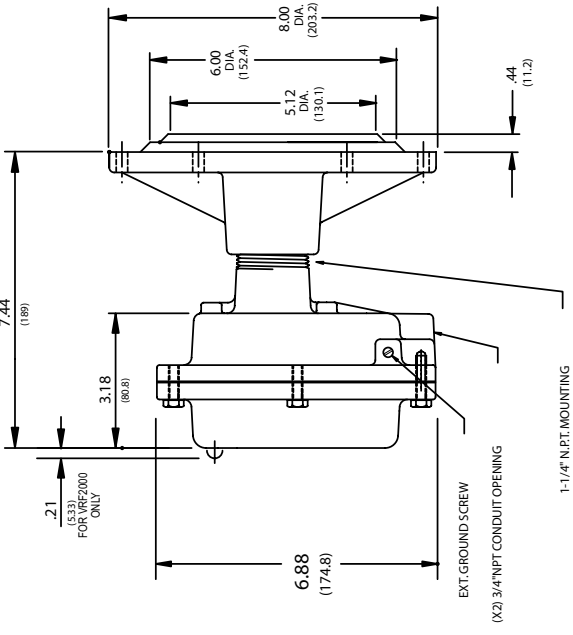


FIGURE 1

venture MEASUREMENT 150 VENTURE BLVD. SPARTANBURG, SC 29306		FILE VRF185008 UNPROOFED DIMENSIONS ORIGINALS ONLY ANGLES IN DEGREES DIMENSIONS IN MILLIMETERS	REF. VRF185008 MATERIAL FINISH FINISH	SCALE NONE SIZE B SHEET 1 of 1
TITLE WIRING for VRF2000		PART VRF185008		
REVISIONS		A UNIT RELEASE 07-423 ECN #	SE 5-2007 DRAWN BY DATE	JD 08-13-07 APP'D BY DATE



9/32" DIA. (7.1) HOLE ON
A 7.44 (189) BOLT DIA.
6-PLCS



MOUNTING SURFACE PREPARATIONS

1. LAY OUT TWO CONCENTRIC CIRCLES ON BIN WALL AT POINT WHERE THE BE LEVEL CONTROL IS TO BE MOUNTED. ONE CIRCLE TO BE 6-7/8" DIAMETER, THE OTHER 7-7/16" DIAMETER.
2. CUT OUT 6-7/8" DIAMETER CIRCLE.
3. LAY OUT SIX EQUALLY SPACED HOLES ON 7-7/16" DIAMETER CIRCLE. DRILL OR TAP FOR 1/4" BOLTS OR CAP SCREWS.

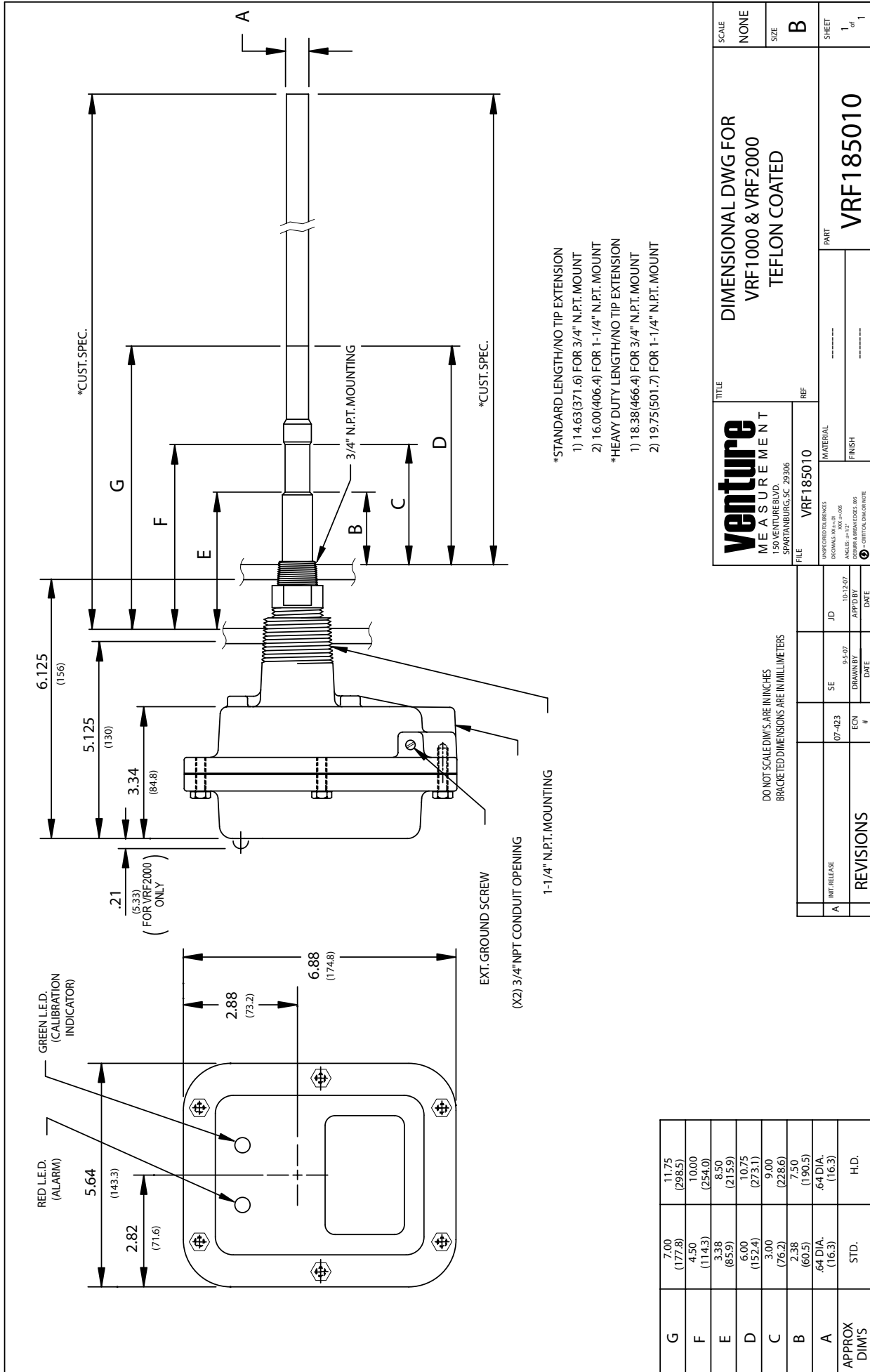
"CAUTION"

WHEN MOUNTING EXPLOSION PROOF UNITS, NEVER ADJUST THE ORIENTATION OF THE PROBE OR PROBE HOUSING BY TURNING THE HOUSING SECTION. THIS WILL BREAK INTERNAL WIRES AND PERMANENTLY DAMAGE THE PROBE.

FOR "FLUSH PROBE" UNITS, THE POSITION MUST BE ADJUSTED BY REMOVING THE MOUNTING BOLTS AND MOVING THE ENTIRE PROBE AND HOUSING.

		TITLE DIMENSIONAL DWG FOR FLUSH PROBE VRF1000 & VRF2000 GP/XP	
150 VENTURE BLD. SPARTANBURG, SC 29306		SCALE NONE	
FILE VRF185009		SIZE B	
REF VRF185009		SHEET 1 of 1	
MATERIAL UNFINISHED ALUMINUM 6061-T6 ANGLE: 3x3x1/2 304 SS 1/8" WALL THICKNESS		PART VRF185009	
FINISH ANODIZED		DATE 10-12-07	
DATE 9-5-07		APPROVED BY JD	
DATE 07-4-23		SE SE	
DATE 07-4-23		ECN # #	
DATE 07-4-23		INITIALS A	
REVISIONS			

DO NOT SCALE DIMS. ARE IN INCHES
BRACKETED DIMENSIONS ARE IN MILLIMETERS



- *STANDARD LENGTH/NO TIP EXTENSION
- 1) 14.63(371.6) FOR 3/4" N.P.T. MOUNT
 - 2) 16.00(406.4) FOR 1-1/4" N.P.T. MOUNT
- *HEAVY DUTY LENGTH/NO TIP EXTENSION
- 1) 18.38(466.4) FOR 3/4" N.P.T. MOUNT
 - 2) 19.75(501.7) FOR 1-1/4" N.P.T. MOUNT

venture
MEASUREMENT

150 VENTURE BLVD.
SPARTANBURG, SC 29306

UNPAPERED BUSINESS
DIMONALS 92 x 108
ANGLE: 10°
FINISH & BRANDED: .005

FILE: VRF185010 REF: _____

MATERIAL: _____
FINISH: _____

SCALE: NONE
SIZE: B

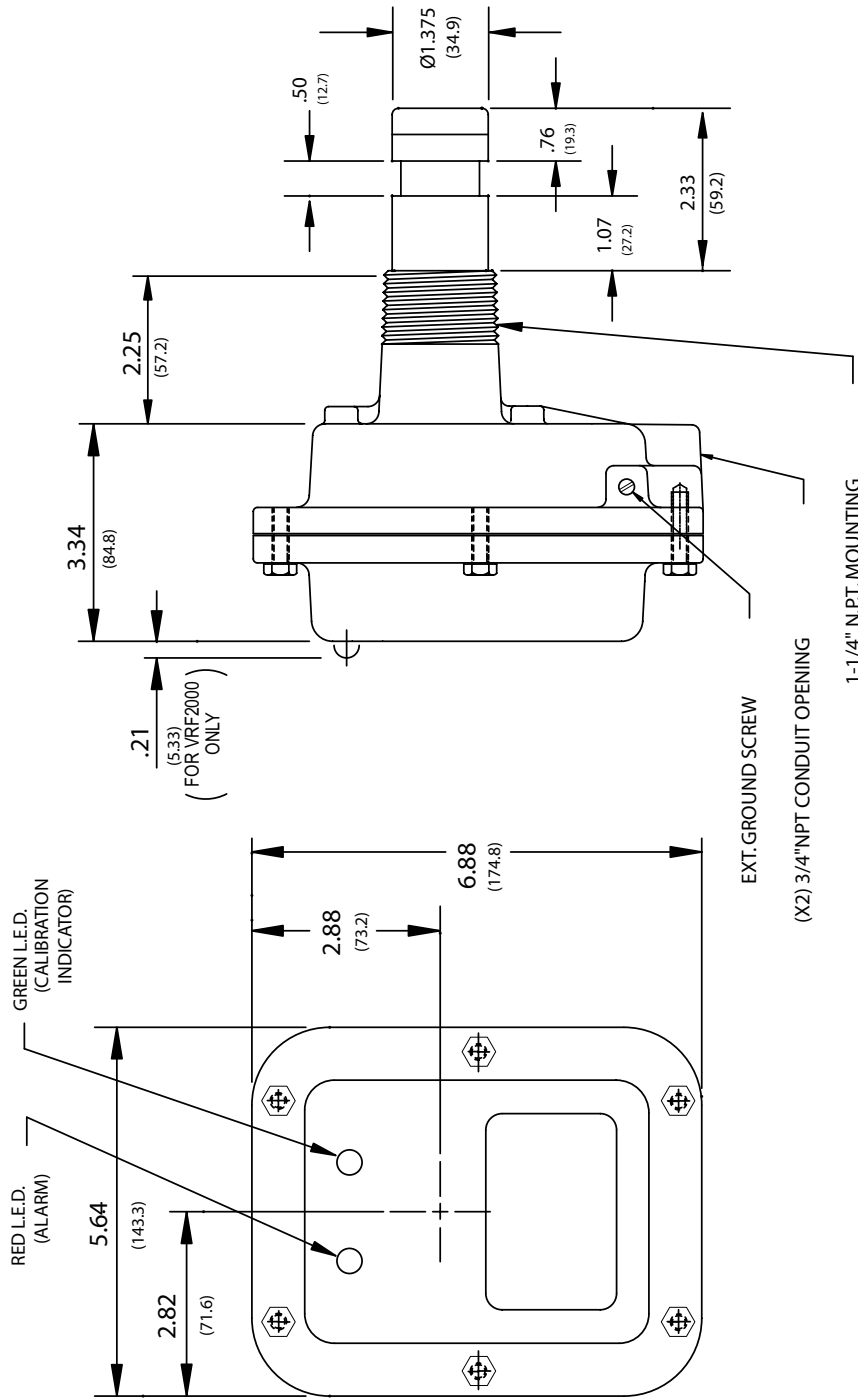
TITLE: DIMENSIONAL DWG FOR VRF1000 & VRF2000 TEFLON COATED

SHEET: 1 of 1

PART: VRF185010

INT. RELEASE	SE	JD	DATE
07-423	9-5-07	10-12-07	
ECN	DRAWN BY	APPT. BY	DATE
#			

REVISIONS



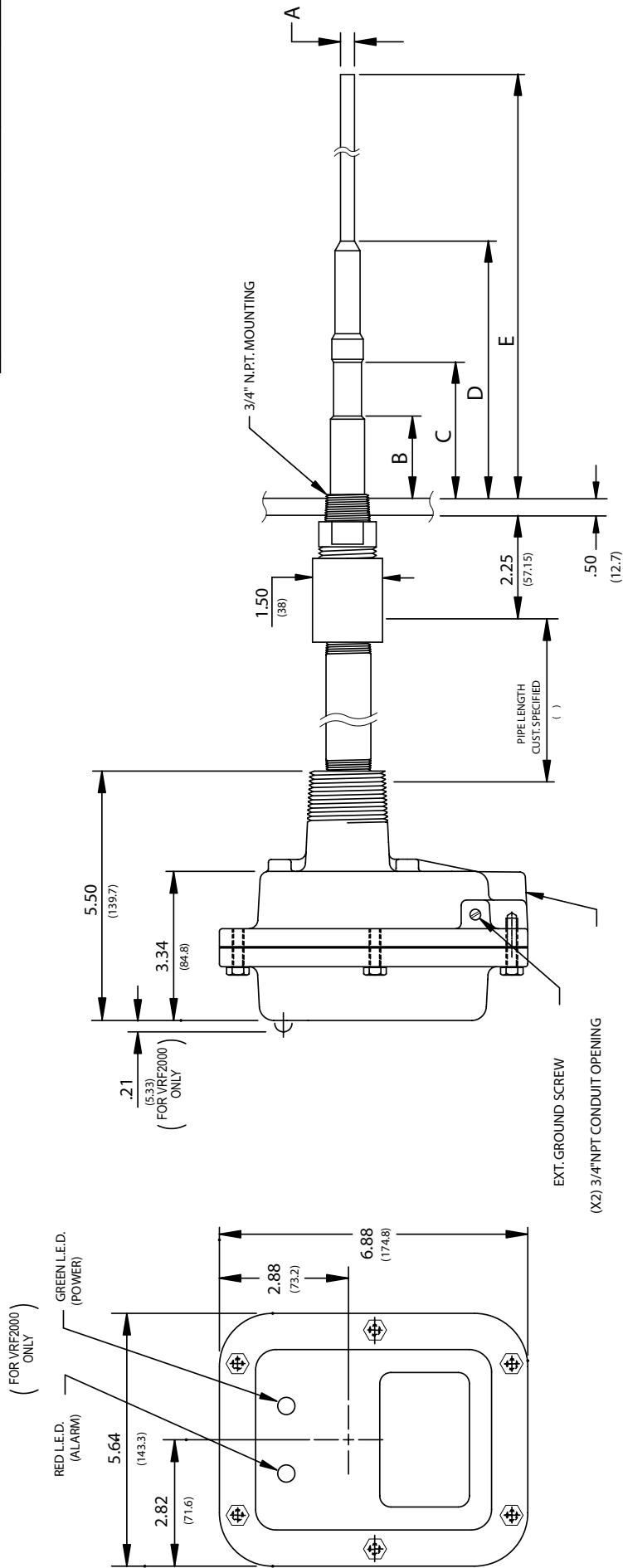
SCALE	NONE	TITLE	DIMENSIONAL DWG FOR VRF1000 & VRF2000 JUMBO PROBE	
SIZE	B	FILE	VRF185011	REF
SHEET	1 of 1	UNPERFORATED DIMENSIONS	MATERIAL	
		DIMINALS: 1/16, 1/32, 1/64	FINISH	
		DECIMALS: 0.001		
		150 VENTURE BLVD.		
		SPARTANBURG, SC 29306		
		ANGLES: 1:107		
		2007-08-08 08:00:00.000		
		VENTURE DWG PART		
			PART	
			VRF185011	

DO NOT SCALE DIM'S ARE IN INCHES
BRACKETED DIMENSIONS ARE IN MILLIMETERS

INIT. RELEASE	SE	JD	DATE
07-423	9-5-07	10-12-07	
ECN	APPD BY	DATE	
REVISIONS			
#	DATE	DESCRIPTION	

REVISIONS		ECN #	DRAWN/CHECKED BY	APP'D BY
		DATE	DATE	DATE
A	INT. RELEASE	07-439	SE 9-13-07	JD 10-12-07

TYPE "C" MOUNTING



EXT. GROUND SCREW
(X2) 3/4"NPT CONDUIT OPENING

E	14.25 (362)	18.25 (463.5)	14.63 (371.6)	18.63 (473.2)	14.25 (362)
D	6.00 (152.5)	10.75 (273)	6.00 (152.5)	10.75 (273)	2.63 (66.8)
C	3.5 (89)	9.00 (228.6)	3.50 (89)	9.00 (228.6)	2.25 (57.2)
B	2.38 (60.5)	7.50 (190.5)	2.38 (60.5)	7.50 (190.5)	1.75 (44.5)
A	.31 DIA. (8)	.38 DIA. (9.5)	.31 DIA. (8)	.38 DIA. (9.5)	.31 DIA. (8)
APPROX DIM'S	STD. & FOODGRADE	H.D.	STD. KYNAR COATED	H.D. KYNAR COATED	STUB

DO NOT SCALE DIMS. ARE IN INCHES
BRACKETED DIMENSIONS ARE IN MILLIMETERS

venture MEASUREMENT		TITLE VRF1000 & VRF2000 EXT. TYPE "C" MOUNTING Mounted on 3/4" Bn Conn for Lagging		SCALE NONE
150 VENTURE BLVD. SPARTANBURG, SC 29306		REF G/P & X/P		SIZE B
FILE VRF185022	MATERIAL	PART VRF185022		SHEET 1 of 1
UNFINISHED TOLERANCES DIMONALS: .0001-01 AVG. 15: 1-127 @ 1000 BIRK BECK BODS. 008		FINISH		

NOTES

NOTES

NOTES



150 VENTURE BOULEVARD
SPARTANBURG, SC 29306
PHONE: 864.574.8060, FAX: 864.574.8063
CUSTOMER CARE: 800.778.9242
WWW.BINDICATOR.COM
SALES@BINDICATOR.COM

venture
MEASUREMENT

2008 ALL RIGHTS RESERVED
ALL DATA SUBJECT TO CHANGE

VRF180001 REV.F 02/10